

**AIR FLUX CLEARVIEW FLEX ANTISTATIC TRANSLUCENT HOSE 15 MTR Ø100 MM**

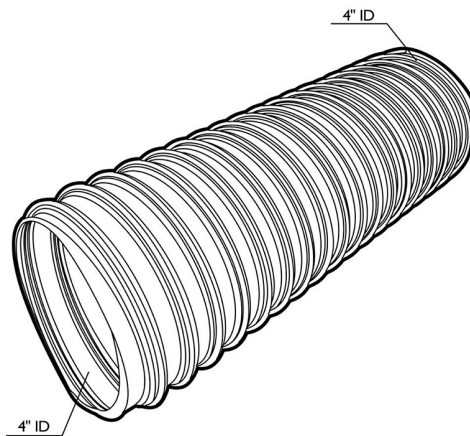


**€227,27 (excl. VAT)**

Antistatic hose length 15 meter diameter 100 mm. To be used in combination with the Dust Extractors by Air Flux.

**SKU:** AIR-40303

**GALERIJAFBEELDINGEN**



Antistatic hose length 15 meter diameter 100 mm. To be used in combination with the Dust Extractors by Air Flux.

### PRODUCT INFORMATION

- Compatible with all Air Flux Dust Extractors

### DESCRIPTION

Antistatic hose length 15 meter diameter 100 mm. To be used in combination with the Dust Extractors by Air Flux.

No video available for this product!

### DOWNLOADS

No download available.

### ADDITIONAL INFORMATION

**Weight**

1 kg

**Dimensions** 1500 cm

**diameter** 100mm