

AIR FLUX CLEARVIEW FLEX ANTISTATIC TRANSLUCENT HOSE 15 MTR Ø100 MM

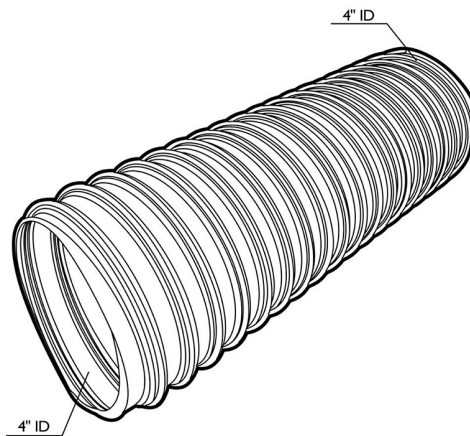


€227,27 (excl. VAT)

Antistatic hose length 15 meter diameter 100 mm. To be used in combination with the Dust Extractors by Air Flux.

SKU: AIR-40303

GALERIJAFBEELDINGEN



Antistatic hose length 15 meter diameter 100 mm. To be used in combination with the Dust Extractors by Air Flux.

PRODUCT INFORMATION

- Compatible with all Air Flux Dust Extractors

DESCRIPTION

Antistatic hose length 15 meter diameter 100 mm. To be used in combination with the Dust Extractors by Air Flux.

No video available for this product!

DOWNLOADS

No download available.

ADDITIONAL INFORMATION

Weight

1 kg

Dimensions 1500 cm

diameter 100mm