

BALL AND PLUNGE BIT R8 (Z=2) SHANK 12MM - Ø16MM

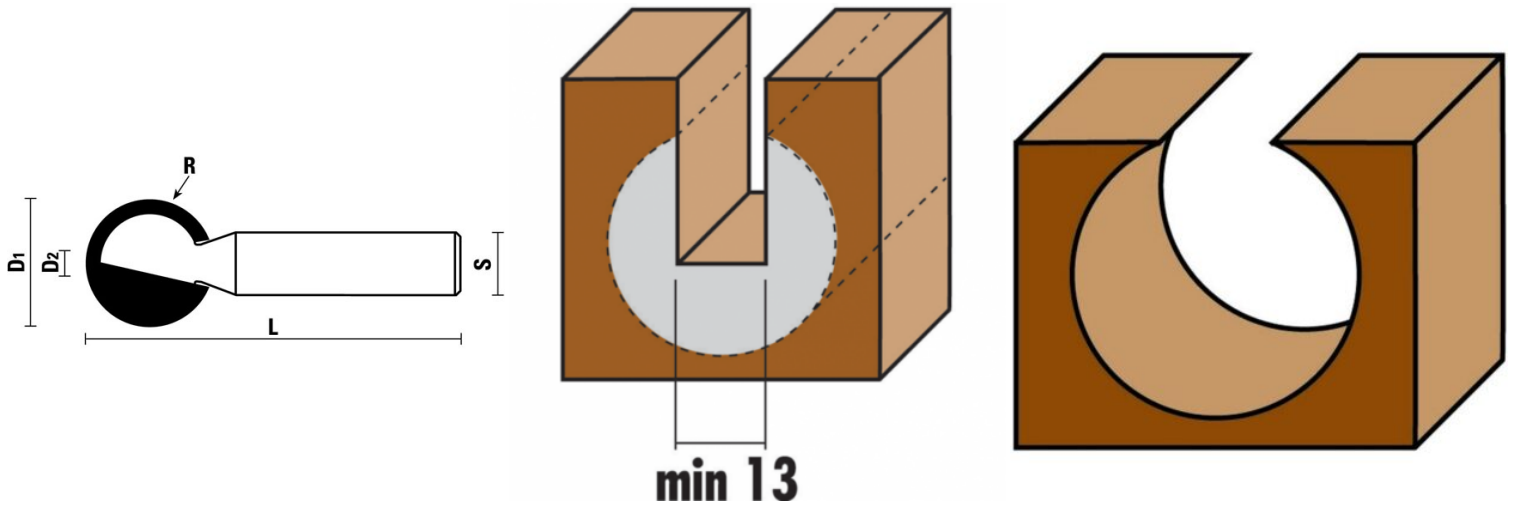


€35,80 (excl. VAT)

Using this ball and plunge bit you can quickly and easily make grooves for sliding panels or electrical wiring. Thanks to the cutting edges in high quality carbide metal, you can use this bit effortlessly on most types of wood. Use a straight router bit to make a pre-groove so that the shaft of the ball bit can move freely.

SKU: KL-E112160R

GALERIJAFBEELDINGEN



Using this ball and plunge bit you can quickly and easily make grooves for sliding panels or electrical wiring. Thanks to the cutting edges in high quality carbide metal, you can use this bit effortlessly on most types of wood. Use a straight router bit to make a pre-groove so that the shaft of the ball bit can move freely.

PRODUCT INFORMATION

- HW carbide cutting edges
 - For most wood types
 - Grooves for wiring
- For router milling machines or CNC machines

DESCRIPTION

Using this ball and plunge bit you can quickly and easily make grooves for sliding panels or electrical wiring. Thanks to the cutting edges in high quality carbide metal, you can use this bit effortlessly on most types of wood. Use a straight router bit to make a pre-groove so that the shaft of the ball bit can move freely.

No video available for this product!

DOWNLOADS

No download available.

ADDITIONAL INFORMATION

Weight	0,05 kg
diameter	16mm
Diameter 2	7,5mm
Length	60mm
Radius	R8
Shank	12mm
Cutting edges	2