

## BALL BED TT25/9


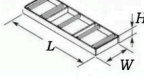
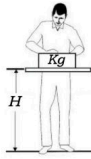



**€301,65 (excl. VAT)**

The TT25/9 is a ball bed with 63 balls.

**SKU:** 1RS259

## GALERIJAFBEELDINGEN

MODEL	TT25/9
	<p>D=25mm Q= 63pcs 9 pcs</p>
	<p>H= 95mm L= 1660mm W= 460mm</p>
	<p>H= - 650mm + 1100mm Kg= 200</p>
	<p>H= 135mm L= 1730mm B= 510mm Kg= 45</p>

The TT25/9 is a ball bed with 63 balls (9 x 7).

The support is equipped with a heavy-duty base with cast iron legs and 63 balls (diameter 25 mm) in a ball bed (1660 x 460 x 95 mm) and has a load capacity of 200 kg. The minimum working height is 650 mm, the maximum working height is 1100 mm.

### PRODUCT INFORMATION

- Heavy-duty base
- Ball diameter (63): 25 mm
- Ball bed dimensions: 1660 x 460 x 95 mm
- Adjustable in height (650 - 1100 mm)
- Can support up to 200 kg

### DESCRIPTION

The TT25/9 is a ball bed with 63 balls (9 x 7). The support is equipped with a heavy-duty base with cast iron legs and 63 balls (diameter 25 mm) in a ball bed (1660 x 460 x 95 mm) and has a load capacity of 200 kg. The minimum working height is 650 mm, the maximum working height is 1100 mm.

No video available for this product!

### DOWNLOADS

No download available.

### ADDITIONAL INFORMATION

<b>Weight</b>	45 kg
<b>Ball diameter</b>	25 mm
<b>Number of balls</b>	63 (9 x 7)
<b>Max. load capacity</b>	200 kg
<b>Height</b>	650-1100 mm