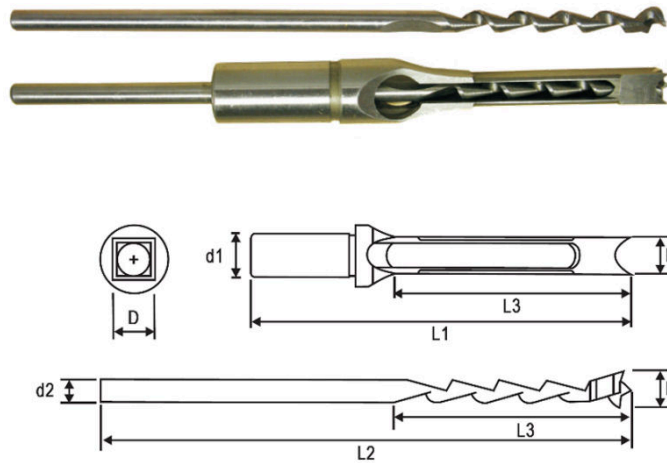


## COMPLETE SQUARE HOLE DRILL



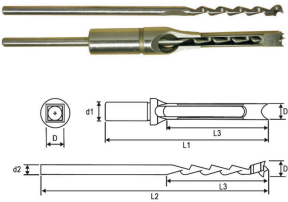
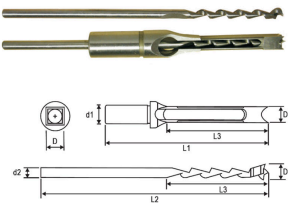
**€37,19 - €57,85 (excl. VAT)**

This drill is used to drill square holes and draw rectangular grooves in softwood and hardwood.

**SKU:** N/A

## VARIATIONS

Image	SKU	Description	diameter	Price
	3B030651060	Cutting length: 60 mm Length: 140 mm	10mm	€37,19 (excl. VAT)
	3B030651270	Cutting length: 70 mm Length: 140 mm	12mm	€49,94 (excl. VAT)
	3B030651475	Cutting length: 75 mm Length: 140 mm	14mm	€49,94 (excl. VAT)
	3B030651695	Cutting length: 95 mm Length: 160 mm	16mm	€49,94 (excl. VAT)
	3B030651895	Cutting length: 95 mm Length: 160 mm	18mm	€57,85 (excl. VAT)

Image	SKU	Description	diameter	Price
	3B030650645	Cutting length: 45 mm Length: 135 mm	6mm	€37,19 (excl. VAT)
	3B030650850	Cutting length: 50 mm Length: 140 mm	8mm	€49,94 (excl. VAT)

### GALERIJAFBEELDINGEN



To drill square holes and draw rectangular grooves in softwood and hardwood. Used on hollow chisel mortisers

### PRODUCT INFORMATION

- Drilling square holes or rectangular grooves
  - For softwood and hardwood
  - Complete with inner drill
- For use on hollow chisel mortisers

### DESCRIPTION

To drill square holes and draw rectangular grooves in softwood and hardwood. Used on hollow chisel mortisers

No video available for this product!

### DOWNLOADS

No download available.

### ADDITIONAL INFORMATION

<b>Weight</b>	0,01 kg
<b>diameter</b>	6mm, 8mm, 10mm, 12mm, 14mm, 16mm, 18mm
<b>Shank</b>	15,9 mm