

CONNECTOR 45° Ø100 MM

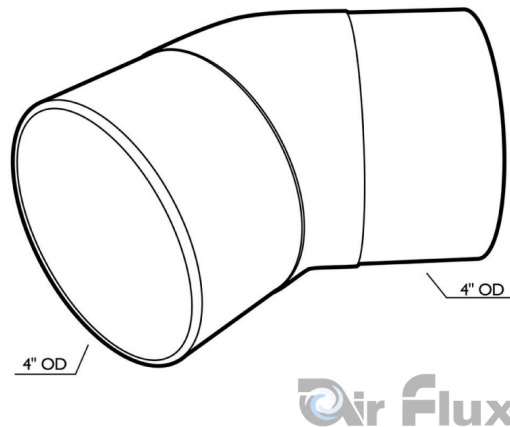


€12,40 (excl. VAT)

Connector 45° with diameter 100mm to be used in combination with the Air Flux dust extraction systems.

SKU: 3DU0194

GALERIJAFBEELDINGEN



Connector 45° with diameter 100mm to be used in combination with the Air Flux dust extraction systems.

PRODUCT INFORMATION

- 45° connector
- Diameter 100mm

DESCRIPTION

Connector 45° with diameter 100mm to be used in combination with the Air Flux dust extraction systems.

No video available for this product!

DOWNLOADS

No download available.

ADDITIONAL INFORMATION

Weight 0,5 kg

diameter

100mm