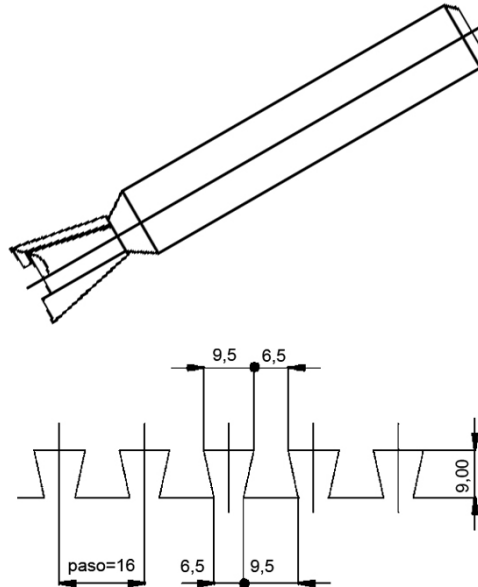


## DOVETAIL BIT FOR VIRUTEX PL11 (Z=2) SHANK 8MM - Ø9,5MM



**€27,33 (excl. VAT)**

This bit is made specifically for machining dovetail joints. Dovetail joints are classic, but extremely strong, mechanical connections to be used in general woodworking. Use these joints to construct cabinet drawers, coffins, cases, or other types of furniture. Thanks to the hard metal (carbide) cutting edges, a clean and accurate result of all your milling and woodworking projects is guaranteed.

This bit is ref. 5040119 to be used with the Virutex dovetailing attachment PL11. Use this bit with the mould with spacing of 16mm.

**SKU:** VIR-PL11FREESHM9.5MM

## GALERIJAFBEELDINGEN



This bit is made specifically for machining dovetail joints. Dovetail joints are classic, but extremely strong, mechanical connections to be used in general woodworking. Use these joints to construct cabinet drawers, coffins, cases, or other types of furniture. Thanks to the hard metal (carbide) cutting edges, a clean and accurate result of all your milling and woodworking projects is guaranteed.

This bit is ref. 5040119 to be used with the Virutex dovetailing attachment PL11. Use this bit with the mould with spacing of 16mm.

## PRODUCT INFORMATION

- HW carbide cutting edges
  - For Virutex PL11
- Make strong dovetail joints
  - For Virutex routers

## DESCRIPTION

This bit is made specifically for machining dovetail joints. Dovetail joints are classic, but extremely strong, mechanical connections to be used in general woodworking. Use these joints to construct cabinet drawers, coffins, cases, or other types of furniture. Thanks to the hard metal (carbide) cutting edges, a clean and

accurate result of all your milling and woodworking projects is guaranteed. This bit is ref. 5040119 to be used with the Virutex dovetailing attachment PL11. Use this bit with the mould with spacing of 16mm.

No video available for this product!

### DOWNLOADS

No download available.

### ADDITIONAL INFORMATION

<b>Weight</b>	0,05 kg
<b>diameter</b>	9,5mm
<b>Cutting edges</b>	2