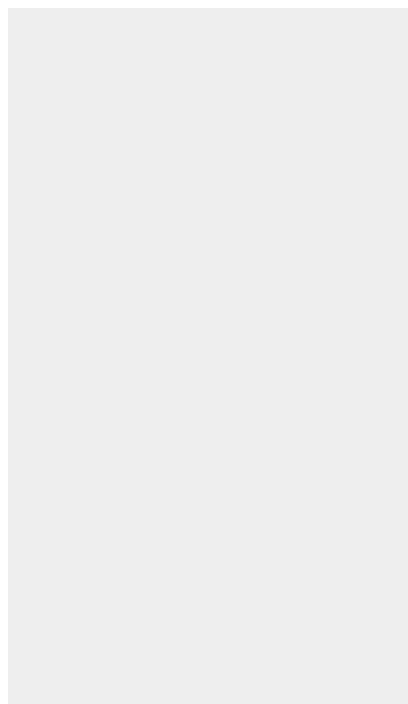


DRILL-MATIC TT224

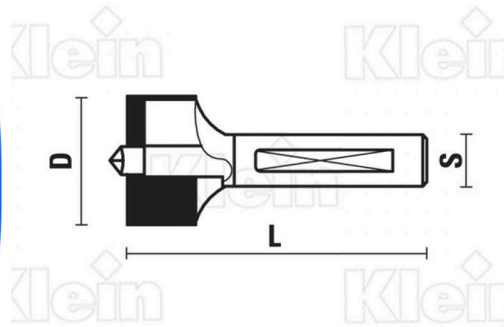
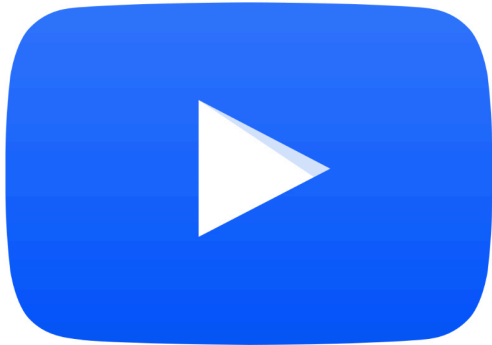


€360,00 (excl. VAT)

The Drill-Matic TT224 is a system that can be used with a column drill or hand drill and is specifically designed for boring for Lamello Cabineo cabinet connectors.

SKU: DRILL-MATIC TT224

GALERIJAFBEELDINGEN



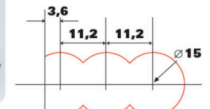
S \varnothing 6	Descrizione/Description	Rotazione/Rotation
L174.150.R	\varnothing 15x35	Dx/Rh
L174.150.L	\varnothing 15x35	Sx/Lh



L174.150.R



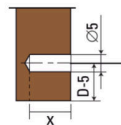
L174.150.L (x2)



S \varnothing 6	Descrizione/Description	Rotazione/Rotation
L175.050.L	\varnothing 5x8x35 - "Cabineo 8"	Sx/Lh
L175.051.L	\varnothing 5x12x39 - "Cabineo 12"	Sx/Lh



L175.050.L/L175.051.L



We offer the DIY enthusiast a system that he can use in conjunction with his column drill or hand drill.

The Drill-Matic TT224 is specifically designed for boring for Lamello Cabineo cabinet connectors.

The drill bits (1 right-turning and 2 left-turning) must be ordered separately.

Specific adapters are also available for cabinet hinges, window hinges and window cranks.

PRODUCT INFORMATION

- To be combined with column drill or hand drill
- Specifically for bores for Lamello Cabineo cabinet connectors
 - Drill bits to be ordered separately
- Adapters are also available for cabinet hinges, window hinges and window cranks

DESCRIPTION

We offer the DIY enthusiast a system that he can use in conjunction with his column drill or hand drill. The Drill-Matic TT224 is specifically designed for boring for Lamello Cabineo cabinet connectors. The drill bits (1 right-turning and 2 left-turning) must be ordered separately. Specific adapters are also available for cabinet hinges, window hinges and window cranks.

DOWNLOADS

No download available.

ADDITIONAL INFORMATION

Weight 25 kg