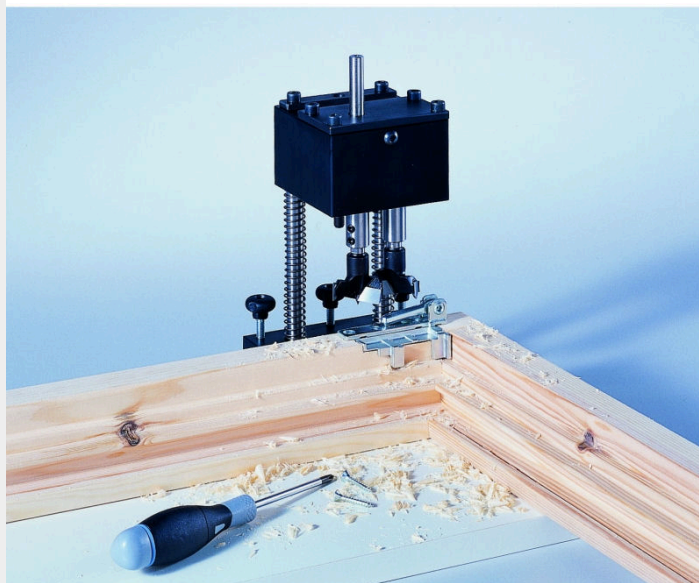


DRILL-MATIC TT34


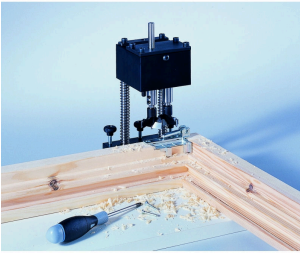


€384,25 (excl. VAT)

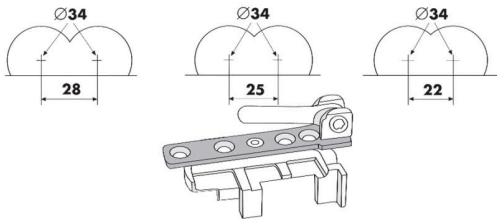
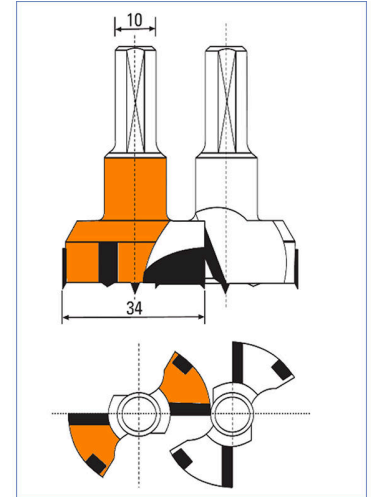
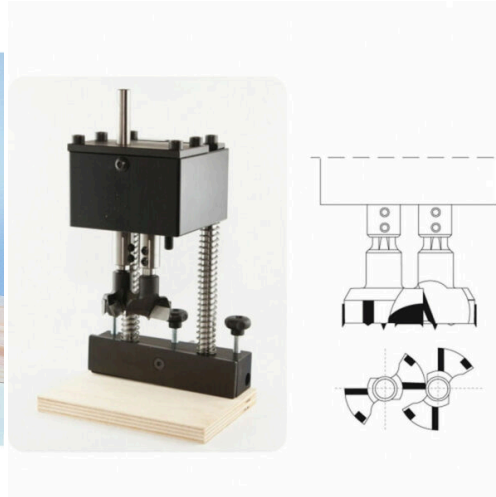
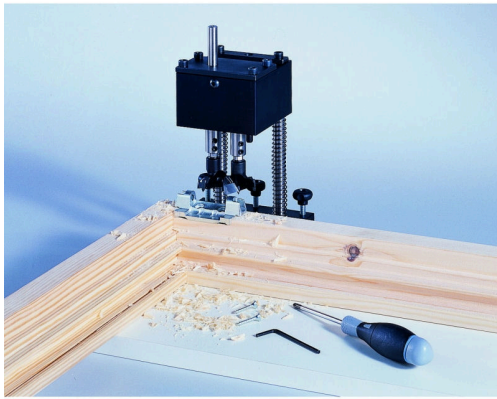
The Drill-Matic TT34 is a system that can be used with a column drill or hand drill and is specifically designed for drilling window hinges.

SKU: N/A

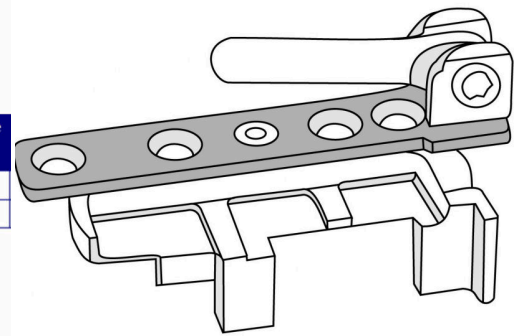
VARIATIONS

Image	SKU	Description	Distance between centers	Price
	DRILL-MATIC TT34/22		22 mm	€384,25 (excl. VAT)
	DRILL-MATIC TT34/25		25 mm	€384,25 (excl. VAT)
	DRILL-MATIC TT34/28		28 mm	€384,25 (excl. VAT)

GALERIJAFBEELDINGEN



Diameter Ø mm/ Diamètre Ø mm	Links/Rechts Gauche/Droite	Artikelcode/ Code article
34	R	L160.340.R
34	L	L160.340.L



We offer the DIY enthusiast a system that he can use in conjunction with his column drill or hand drill.

The Drill-Matic TT34 is specifically designed for drilling window hinges.

The drill bits must be ordered separately.

Specific adapters are also available for cabinet hinges, window cranks, and line boring.

PRODUCT INFORMATION

- To be combined with column drill or hand drill
 - For drilling window hinges
 - Drill bits to be ordered separately
- Adaptors are also available for cabinet hinges, window cranks and line boring

DESCRIPTION

We offer the DIY enthusiast a system that he can use in conjunction with his column drill or hand drill. The Drill-Matic TT34 is specifically designed for drilling window hinges. The drill bits must be ordered separately. Specific adaptors are also available for cabinet hinges, window cranks, and line boring.

No video available for this product!

DOWNLOADS

No download available.

ADDITIONAL INFORMATION

Weight	25 kg
Distance between centers	22 mm, 25 mm, 28 mm