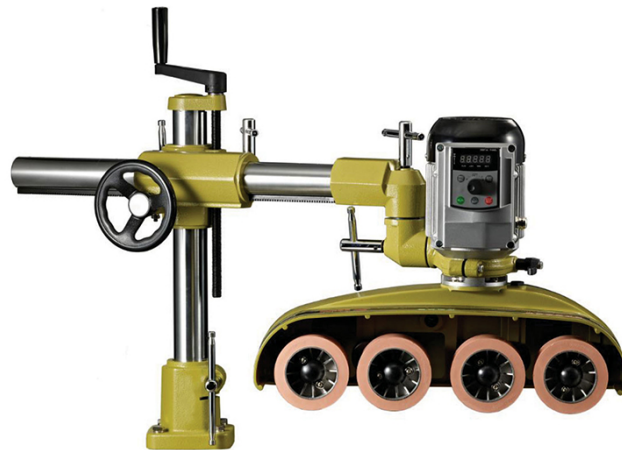


FEEDER V400



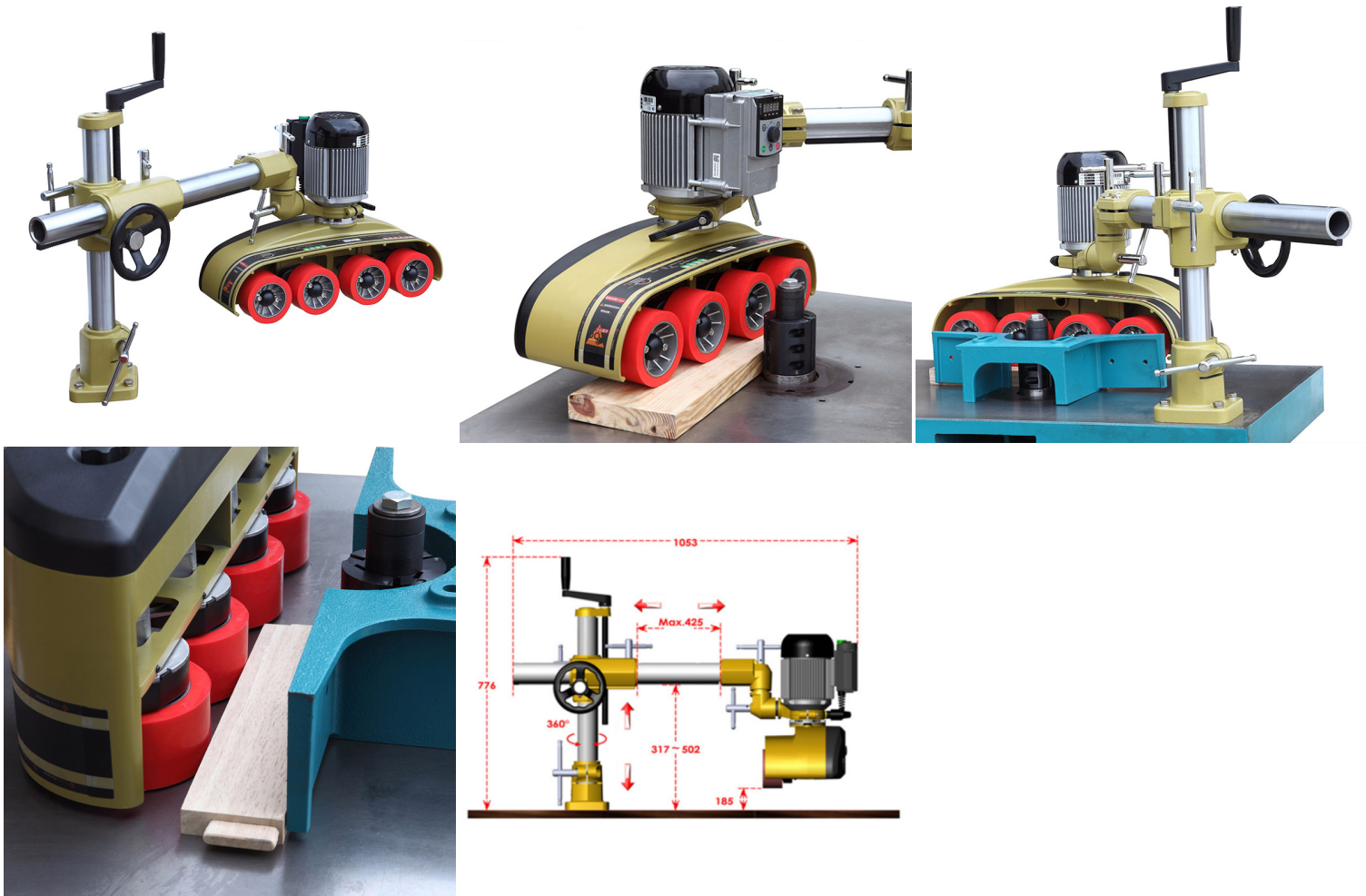
€1 .446,28 (excl. VAT)

Powerful feeder with a heavy-duty aluminium housing. Very precise feeder, equipped with a powerful 1 HP motor and eight working speeds. This allows you to work at your own pace, adapted to the hardness of the wood. The machine is very easy to move up and down and the large synthetic wheels ensure a safe and stable working environment. The entire device is rustproof due to a special treatment. Work smoothly and safely with heavy spindle moulders or other woodworking machinery using the Feeder V400.

Equipped with a variable, electronic speed control. Easy to use with rotary knob and digital readout.

SKU: OFEV400

GALERIJAFBEELDINGEN



Powerful feeder with a heavy-duty aluminium housing. Very precise feeder, equipped with a powerful 1 HP motor and eight working speeds. This allows you to work at your own pace, adapted to the hardness of the wood. The machine is very easy to move up and down and the large synthetic wheels ensure a safe and stable working environment. The entire device is rustproof due to a special treatment. Work smoothly and safely with heavy spindle moulders or other woodworking machinery using the Feeder V400.

Equipped with a variable, electronic speed control. Easy to use with rotary knob and digital readout.

PRODUCT INFORMATION

- Feeder
- For woodworking machines

DESCRIPTION

Powerful feeder with a heavy-duty aluminium housing. Very precise feeder, equipped with a powerful 1 HP motor and eight working speeds. This allows you to work at your own pace, adapted to the hardness of the wood. The machine is very easy to move up and down and the large synthetic wheels ensure a safe and stable working environment. The entire device is rustproof due to a special treatment. Work smoothly and safely with heavy spindle moulders or other woodworking machinery using the Feeder V400. Equipped with a variable, electronic speed control. Easy to use with rotary knob and digital readout.

No video available for this product!

DOWNLOADS

No download available.

ADDITIONAL INFORMATION

Weight	70 kg
Motor	1 PK
Voltage	3 x 400V
No-load speed	140-3660rpm
Ø wheel	120mm
Max. height work piece	185mm