

FOLDABLE ROLLER SUPPORT TT70XP8

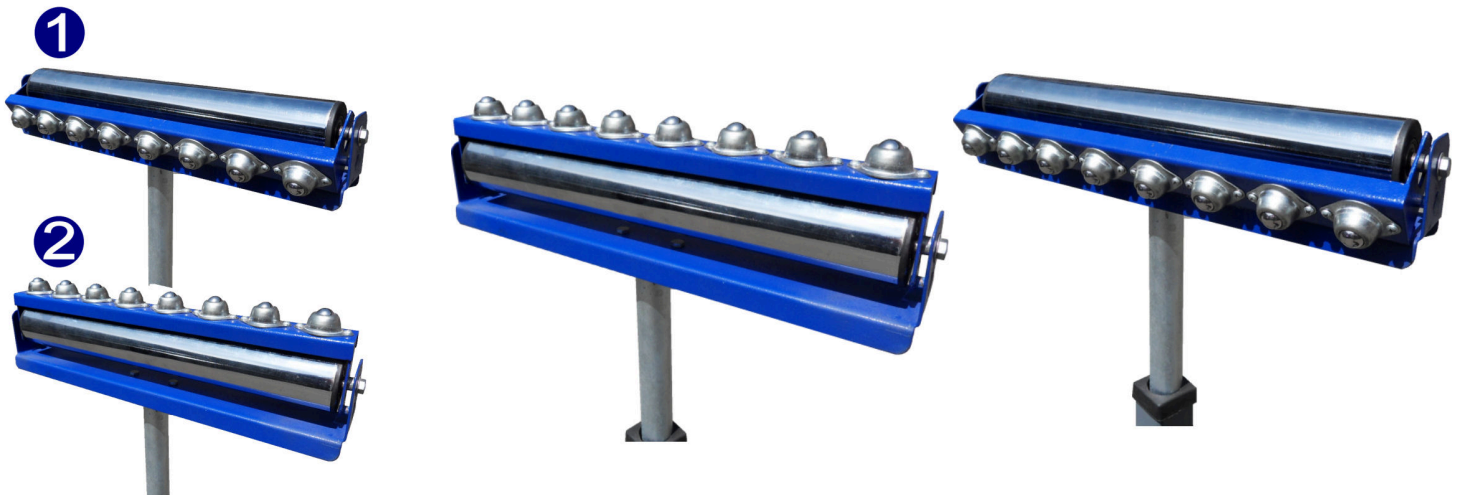


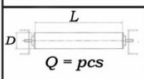

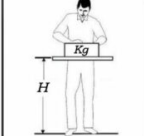
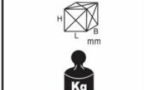
€65,28 (excl. VAT)

The TT70XP8 is a foldable, height-adjustable roller support on ball bearings with dual function: roller and balls.

SKU: 1RS70XP8

GALERIJAFBEELDINGEN



MODEL	TT70XP8
	L= 400mm D= 57mm Q= 1pcs
	D= 16mm Q= 8pcs
	H= - 720mm + 1030mm Kg= 70
	H= 180mm L= 630mm B= 140mm Kg= 7

The TT70XP8 is a foldable, height-adjustable roller support on ball bearings. The legs fold flat, allowing the support to be stored quickly and conveniently.

The support of the TT70XP8 has a dual function: roller and balls.

PRODUCT INFORMATION

- Support length: 400 mm
- Roller diameter: 57 mm

- Two functions: roller and balls (8 x, diameter 16 mm)
 - Adjustable in height (720-1030 mm)
 - Can support up to 70 kg

DESCRIPTION

The TT70XP8 is a foldable, height-adjustable roller support on ball bearings. The legs fold flat, allowing the support to be stored quickly and conveniently. The support of the TT70XP8 has a dual function: roller and balls.

No video available for this product!

DOWNLOADS

No download available.

ADDITIONAL INFORMATION

Weight	7 kg
Dimensions	630 × 180 × 140 cm
Support length	400 mm
Roller diameter	57 mm
Max. load capacity	70 kg
Height	720-1030 mm
Number of balls	8
Ball diameter	16 mm