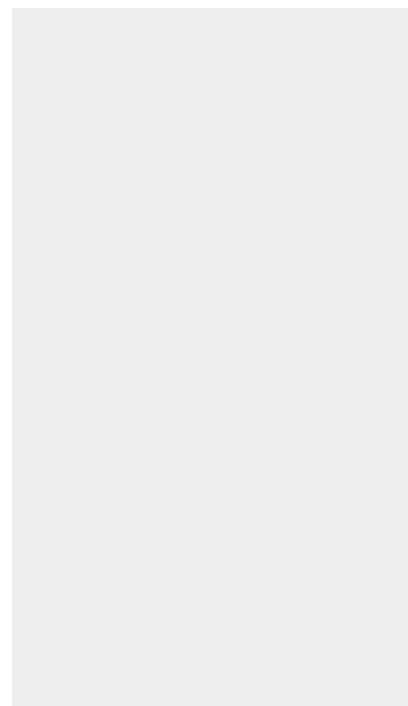
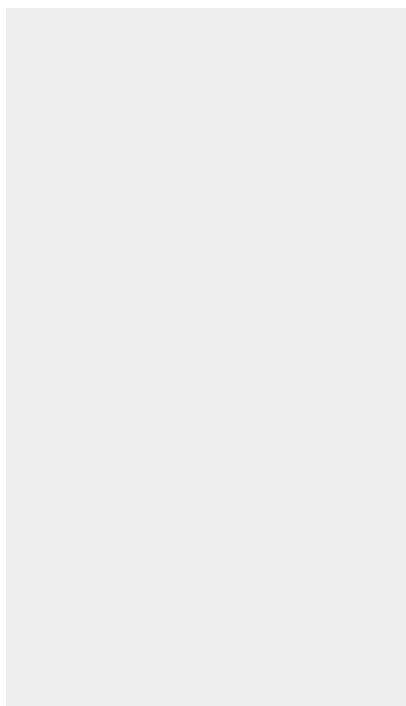


### FOLDABLE ROLLER SUPPORT TT80/5

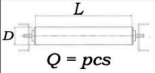
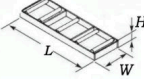
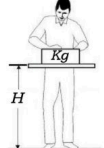
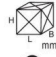



**€152,89 (excl. VAT)**

The TT80/5 is a foldable, height-adjustable roller support with 5 rollers on ball bearings.

**SKU:** 1RS805

**GALERIJAFBEELDINGEN**

MODEL	<b>TT80/5</b>
	<b>L= 400mm</b> <b>D= 57mm</b> <b>Q= 5pcs</b>
	<b>H= 95mm</b> <b>W= 450mm</b> <b>L= 700mm</b>
	<b>H= -750mm</b> <b>+1000mm</b>  <b>Kg= 80</b>
	<b>H= 120mm</b> <b>L= 800mm</b> <b>B= 600mm</b>
	<b>Kg= 14</b>

The TT80/5 is a foldable, height-adjustable roller support on ball bearings.

Both the legs and the roller bed fold flat, allowing for quick and convenient storage of the support.

The support is equipped with 5 rollers (width 400 mm) in a roller bed (700 x 450 x 95 mm) and has a load capacity of 80 kg. The minimum working height is 750 mm, the maximum working height is 1000 mm.

### PRODUCT INFORMATION

- Support length: 400 mm
- Roller diameter (5): 557 mm
- Adjustable in height (750-1000 mm)
  - Can support up to 80 kg

### DESCRIPTION

The TT80/5 is a foldable, height-adjustable roller support on ball bearings. Both the legs and the roller bed fold flat, allowing for quick and convenient storage of the support. The support is equipped with 5 rollers (width 400 mm) in a roller bed (700 x 450 x 95 mm) and has a load capacity of 80 kg. The minimum working height is 750 mm, the maximum working height is 1000 mm.

No video available for this product!

## DOWNLOADS

No download available.

## ADDITIONAL INFORMATION

<b>Weight</b>	14 kg
<b>Dimensions</b>	800 × 600 × 120 cm
<b>Support length</b>	400 mm
<b>Roller diameter</b>	57 mm
<b>Max. load capacity</b>	80 kg
<b>Height</b>	750-1000 mm
<b>Roller bed dimensions</b>	700 x 450 x 95 mm