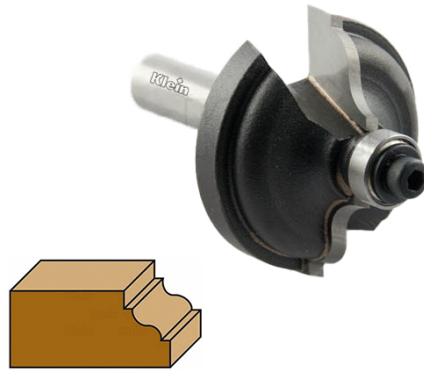


## OGEE BIT RAISED SIDE WITH BALL BEARING (Z=2) SHANK 8MM - Ø35MM



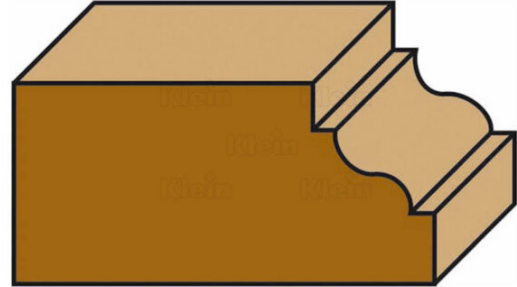
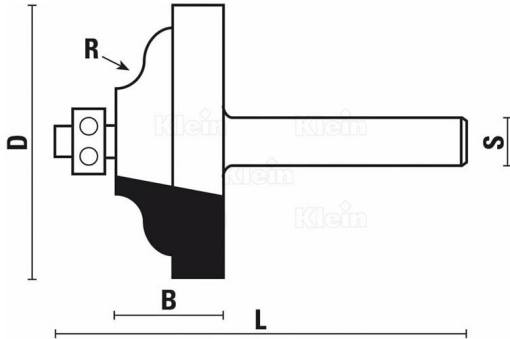
**€49,00 (excl. VAT)**

Classic Roman ogee bits, suited for making clean and pretty styled edges to your doors, drawers or other furniture. Thanks to the cutting edges in high quality carbide metal, you can use this bit effortlessly on most types of wood.

Equipped with a ball bearing for easier work. The smaller bearing provides an upright standing side to the rounding.

**SKU:** KL-C133350R

## GALERIJAFBEELDINGEN



Classic Roman ogee bits, suited for making clean and pretty styled edges to your doors, drawers or other furniture. Thanks to the cutting edges in high quality carbide metal, you can use this bit effortlessly on most types of wood.

Equipped with a ball bearing for easier work. The smaller bearing provides an upright standing side to the rounding.

### PRODUCT INFORMATION

- HW carbide cutting edges
  - For most wood types
  - For decorative edges
- For router milling machines or CNC machines

### DESCRIPTION

Classic Roman ogee bits, suited for making clean and pretty styled edges to your doors, drawers or other furniture. Thanks to the cutting edges in high quality carbide metal, you can use this bit effortlessly on most types of wood. Equipped with a ball bearing for easier work. The smaller bearing provides an upright standing side to the rounding.

No video available for this product!

### DOWNLOADS

No download available.

### ADDITIONAL INFORMATION

<b>Weight</b>	0,05 kg
<b>diameter</b>	35mm
<b>Cutting length</b>	14mm
<b>Length</b>	52mm
<b>Radius</b>	R4
<b>Shank</b>	8mm
<b>Cutting edges</b>	2