

## OUTLET | PLUNGE SAW TT55



~~€342,97~~ **€247,11 (excl. VAT)**

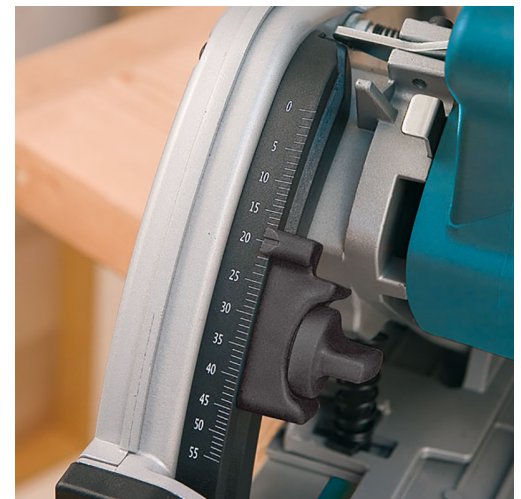
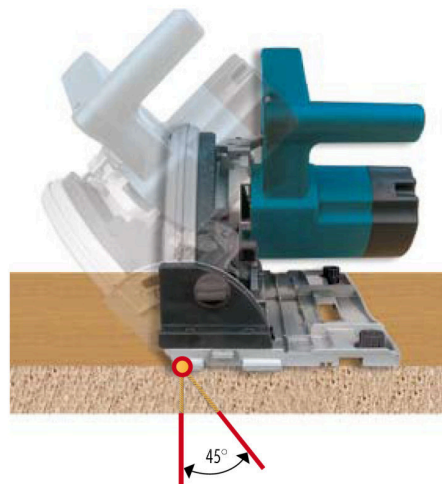
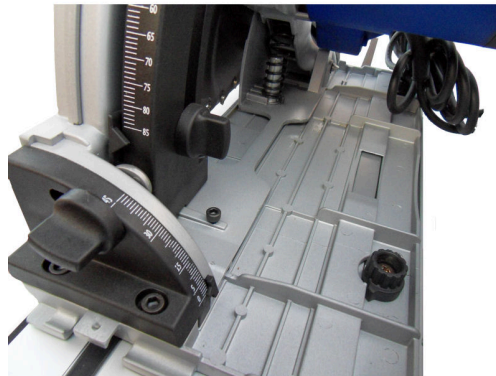
**SHOWROOM MODEL - NEW**

**Plunge saw TT55 + carrying case + guide rail 1400mm**

The TT55 is a plunge-cut saw with a robust and ergonomic design and a cutting range of up to 55 mm. In addition, it can cut to within 13.5 mm of a vertical edge. Using the guide rail, which comes as a standard, you always make perfectly straight and stable cuts. The rail also has an elastic rubber edge that prevents splintering. Thanks to its powerful 1150 W (5000 rpm) motor, this machine cuts easily through different materials. The saw blade's quick stop and automatic shut-off on overload provide increased safety. Thanks to the anti-slip coating on the rear handle, you always have full control of the machine while working. It is equipped with a handle, allowing the easy replacement of the saw blade.

**SKU: OUTLET-0PSTT055**

## GALERIJAFBEELDINGEN



The TT55 is a plunge-cut saw with a robust and ergonomic design and a cutting range of up to 55 mm. In addition, it can cut to within 13.5 mm of a vertical edge. Using the guide rail, which comes as a standard, you always make perfectly straight and stable cuts. The rail also has an elastic rubber edge that prevents splintering. The saw fits directly on the rail, without additional accessories. Thanks to its powerful 1150 W (5000 rpm) motor, this machine cuts easily through different materials. The motor is equipped with a soft start to prevent shocks at startup. The rapid stop of the saw blade and automatic shutdown in the event of an overload provide increased safety. Thanks to the anti-slip coating on the rear handle, you always have full control of the

machine while working. It is equipped with a handle, allowing the easy replacement of the saw blade.

As a standard, this plunge-cut saw comes with a 28-teeth saw blade and a diameter of 160 mm and a bore of 20 mm. Standard equipment further includes a handy carrying case and the 1400 mm guide rail.

The Multi Rolls saw blade is also available as an option. This saw blade has a non-stick coating, a diameter of 160 mm and 48 teeth. It is ideal for cutting hard and exotic solid wood, kitchen board, thermoplastic, laminate, MDF, particle board, etc. The guide rail can be extended by means of an additional 800 or 1400 mm guide rail and a connection kit. Furthermore, we also recommend the T-Track Quick clamp to secure the workpiece to the guide rail.

With the 125-mm diameter grooving saw blade and faceted V-tooth, you can also use this plunge-cut saw perfectly to make paneling in hardwood, softwood, laminated panels and other wood-based products.

## PRODUCT INFORMATION

- Plunge-cut saw
- Precise depth control 0-55 mm
- Up to 13.5 mm from vertically upright side
  - Powerful motor (1150 W)
- Standard with saw blade with diameter 160 mm and bore 20 mm
- Comes standard with the 1400 mm guide rail

## DESCRIPTION

The TT55 is a plunge-cut saw with a robust and ergonomic design and a cutting range of up to 55 mm. In addition, it can cut to within 13.5 mm of a vertical edge. Using the guide rail, which comes as a standard, you always make perfectly straight and stable cuts. The rail also has an elastic rubber edge that prevents splintering. The saw fits directly on the rail, without additional accessories. Thanks to its powerful 1150 W (5000 rpm) motor, this machine cuts easily through different materials. The motor is equipped with a soft start to prevent shocks at startup. The rapid stop of the saw blade and automatic shutdown in the event of an overload provide increased safety. Thanks to the anti-slip coating on the rear handle, you always have full control of the machine while working. It is equipped with a handle, allowing the easy replacement of the saw blade. As a standard, this plunge-cut saw comes with a 28-teeth saw blade and a diameter of 160 mm and a bore of 20 mm. Standard equipment further includes a handy carrying case and the 1400 mm guide rail. The Multi Rolls saw blade is also available as an option. This saw blade has a non-stick coating, a diameter of 160 mm and 48 teeth. It is ideal for cutting hard and exotic solid wood, kitchen board, thermoplastic, laminate, MDF, particle board, etc. The guide rail can be extended by means of an additional 800 or 1400 mm guide rail and a

connection kit. Furthermore, we also recommend the T-Track Quick clamp to secure the workpiece to the guide rail. With the 125-mm diameter grooving saw blade and faceted V-tooth, you can also use this plunge-cut saw perfectly to make paneling in hardwood, softwood, laminated panels and other wood-based products.

No video available for this product!

### DOWNLOADS

No download available.

### ADDITIONAL INFORMATION

<b>Weight</b>	5 kg
<b>Dimensions</b>	355 × 260 × 320 cm
<b>Input Power</b>	1150 W
<b>Diameter sawblade</b>	160mm
<b>Cutting depth 45°</b>	35mm
<b>Cutting depth 90 °</b>	55mm
<b>No-load speed</b>	5000 rpm