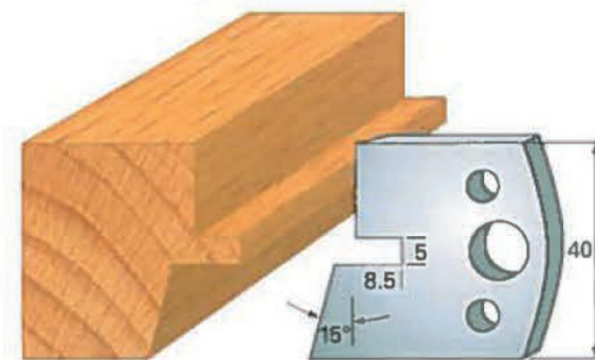


## PAIR OF PROFILE KNIVES HEIGHT 40MM NR. 0085



Art. SA0085 - (SA1085)

**Klein**  
S I S T E M I

**€16,53 (excl. VAT)**

Set of profile knives of height 40mm Nr. 0085 suited for universal moulding blocks. Used for moulding of wood at low costs. The steel alloy with 16% cobalt guarantees a high quality cut and a comfortable cutting process.

**SKU:** KL-SA0085

**GALERIJAFBEELDINGEN**



Set of profile knives of height 40mm Nr. 0085 suited for universal moulding blocks. Used for moulding of wood at low costs. The steel alloy with 16% cobalt guarantees a high quality cut and a comfortable cutting process.

### **PRODUCT INFORMATION**

- High quality cutting
  - Height 40mm
- Comfortable moulding
- Steel alloy with 16% cobalt

### **DESCRIPTION**

Set of profile knives of height 40mm Nr. 0085 suited for universal moulding blocks. Used for moulding of wood at low costs. The steel alloy with 16% cobalt guarantees a high quality cut and a comfortable cutting process.

No video available for this product!

### **DOWNLOADS**

No download available.

### ADDITIONAL INFORMATION

**Weight** 0,05 kg

**Dimensions** 0,4 cm