

### PIHER - ADAPTER FOR TIGE TCP PISTON CLAMP





**€5,98 - €6,21 (excl. VAT)**

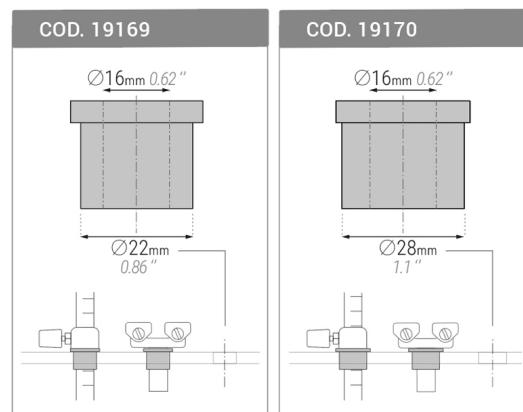
These adapters are made for the TCP piston clamp and ensure that it can also be used on welding tables with a different diameter. Available in 22mm or 28mm. Galvanized and made of carbon steel.

**SKU:** N/A

**VARIATIONS**

Image	SKU	Description	Shaft diameter	Price
	PIH-19169		22mm	€5,98 (excl. VAT)
	PIH-19170		28mm	€6,21 (excl. VAT)

### GALERIJAFBEELDINGEN



These adapters are made for the TCP piston clamp and ensure that it can also be used on welding tables with a

different diameter. Available in 22mm or 28mm. Galvanized and made of carbon steel.

### PRODUCT INFORMATION

- Adapter for the TCP piston clamp
- Galvanized and made of carbon steel.
  - Available in 22mm or 28mm

### DESCRIPTION

These adapters are made for the TCP piston clamp and ensure that it can also be used on welding tables with a different diameter. Available in 22mm or 28mm. Galvanized and made of carbon steel.

No video available for this product!

### DOWNLOADS

No download available.

### ADDITIONAL INFORMATION

<b>Weight</b>	N/A
<b>Shaft diameter</b>	22m, 28mm