

PIHER - ADAPTER FOR TUBES + BAR






€24,56 - €25,52 (excl. VAT)

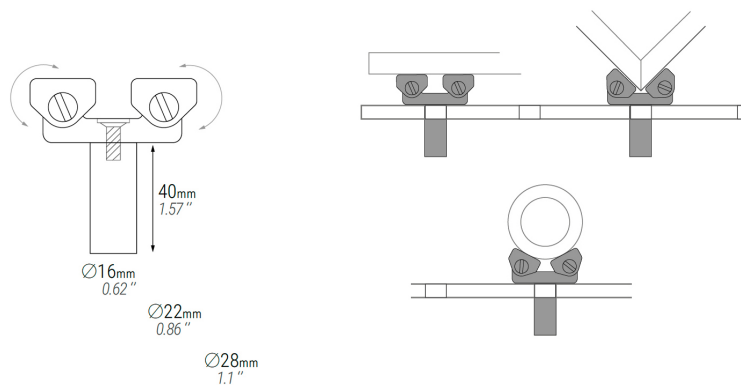
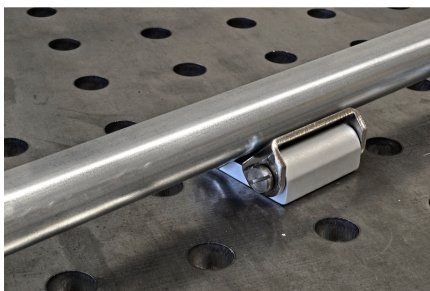
This adapter for tubes is made for welding tables and is available in diameter 16mm, 22mm or 28mm.
Galvanized and made of carbon steel.

SKU: N/A

VARIATIONS

| Image | SKU | Description | Shaft diameter | Price |
|--|-----------|-------------|----------------|--------------------|
|  | PIH-19111 | | 16mm | €24,56 (excl. VAT) |
|  | PIH-19112 | | 22mm | €24,80 (excl. VAT) |
|  | PIH-19113 | | 28mm | €25,52 (excl. VAT) |

GALERIJAFBEELDINGEN



This adapter for tubes is made for welding tables and is available in diameter 16mm, 22mm or 28mm.
Galvanized and made of carbon steel.

PRODUCT INFORMATION

- Galvanized and made of carbon steel.
- Available in Ø 16mm, 22mm or 28mm

DESCRIPTION

This adapter for tubes is made for welding tables and is available in diameter 16mm, 22mm or 28mm.
Galvanized and made of carbon steel.

No video available for this product!

DOWNLOADS

No download available.

ADDITIONAL INFORMATION

| | |
|-----------------------|-----------------|
| Weight | N/A |
| Shaft diameter | 16mm, 22m, 28mm |