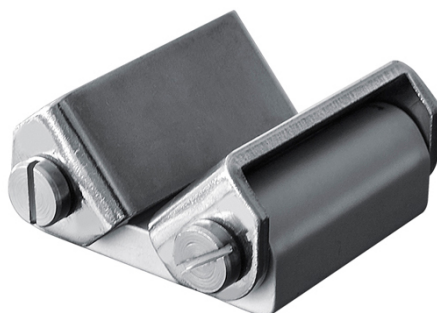


### PIHER - ADAPTER FOR TUBES

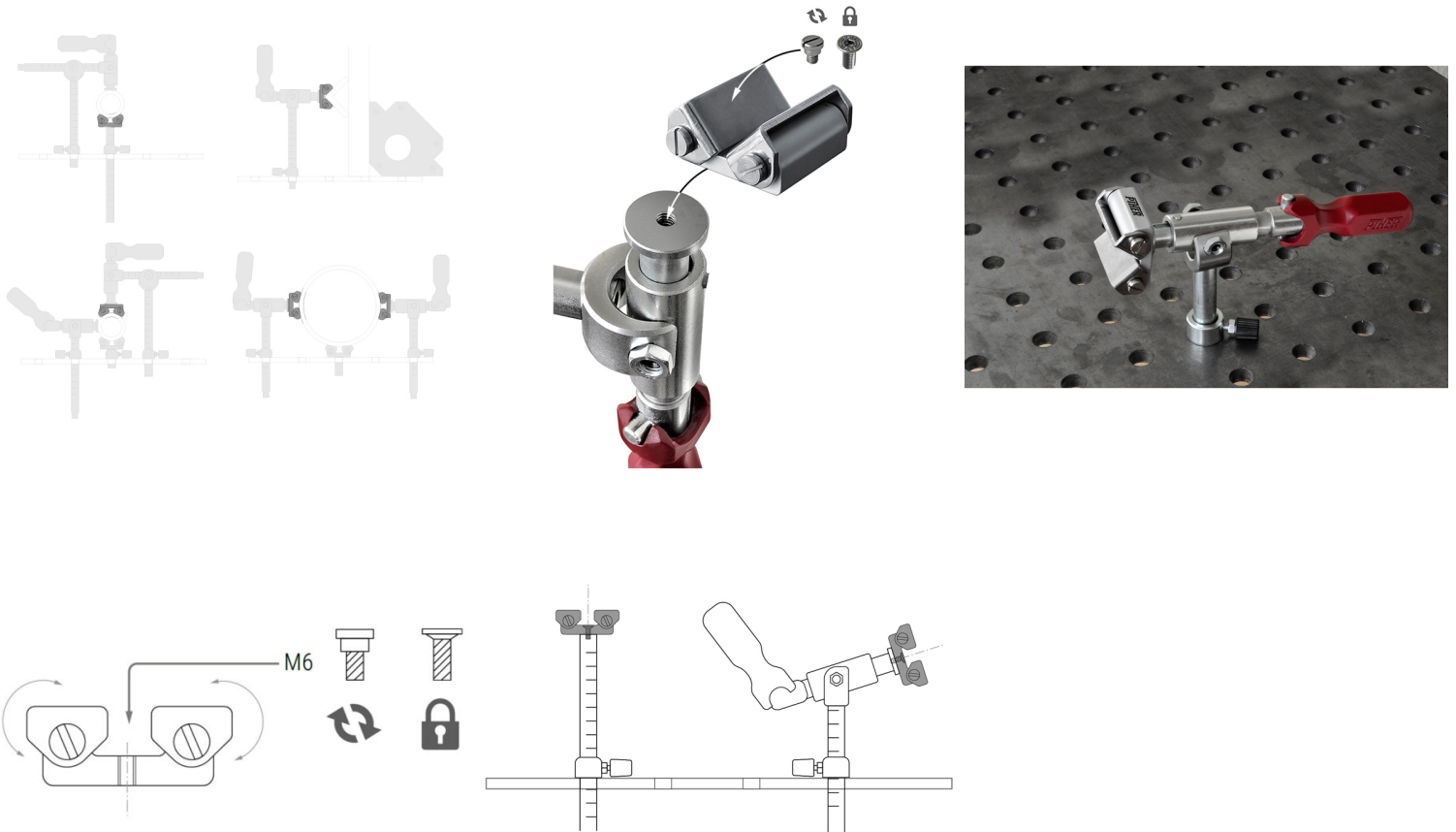


**€20,36 (excl. VAT)**

This tube adapter is made for the TCP Piston clamp. Galvanized and made of carbon steel. Accessory can be fixed or rotatable depending on the chosen screw.

**SKU:** PIH-19114

### GALERIJAFBEELDINGEN



This tube adapter is made for the TCP Piston clamp. Galvanized and made of carbon steel. Accessory can be fixed or rotatable depending on the chosen screw.

### PRODUCT INFORMATION

- Galvanized and made of carbon steel.
- Made for the TCP piston clamp
  - Includes two screws

## DESCRIPTION

This tube adapter is made for the TCP Piston clamp. Galvanized and made of carbon steel. Accessory can be fixed or rotatable depending on the chosen screw.

No video available for this product!

## DOWNLOADS

No download available.

## ADDITIONAL INFORMATION

### Weight

0,180 kg