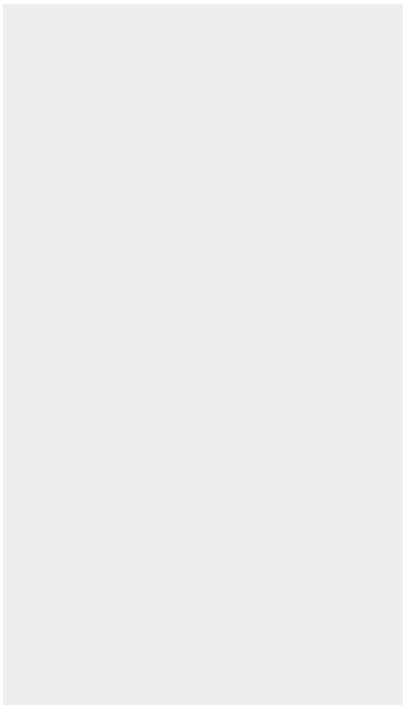


## PIHER - BAR 220MM M6 AND M8 ACCESSORY FOR TCP WELDING CLAMP

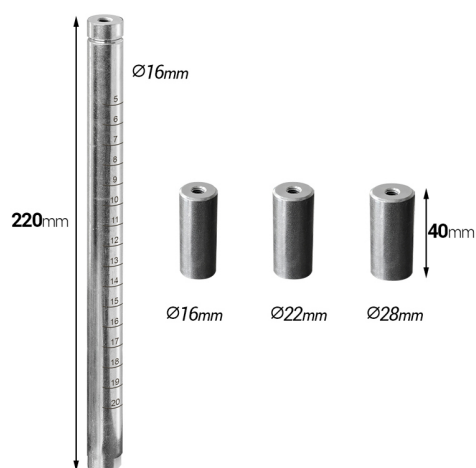


**€13,56 (excl. VAT)**

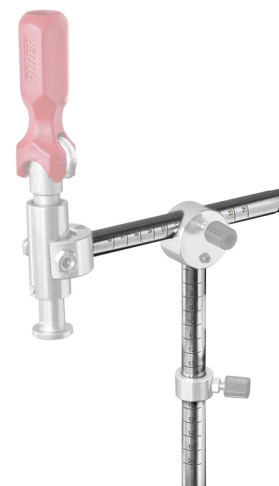
Metal bar length 220mm with connection M6 and M8 for use in combination with the TCP welding clamps.  
Diameter Ø 16mm.

**SKU:** PIH-19165

### GALERIJAFBEELDINGEN



COD. 19165	COD. 19166	COD. 19167	COD. 19168



Metal bar length 220mm with connection M6 and M8 for use in combination with the TCP welding clamps.  
Diameter Ø 16mm.

### PRODUCT INFORMATION

- M6 and M8 mounting hole
- 220mm length
- To be used with the TCP clamps for welding tables

### DESCRIPTION

Metal bar length 220mm with connection M6 and M8 for use in combination with the TCP welding clamps.  
Diameter Ø 16mm.

No video available for this product!

### DOWNLOADS

No download available.

### ADDITIONAL INFORMATION

<b>Weight</b>	0,3 kg
<b>Dimensions</b>	22 cm
<b>diameter</b>	16mm