

## PIHER - BAR 40MM M6 AND M8 ACCESSORY FOR TCP WELDING CLAMP



**€7,86 - €9,02 (excl. VAT)**

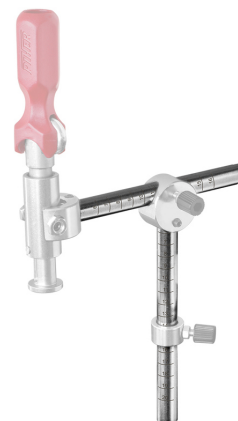
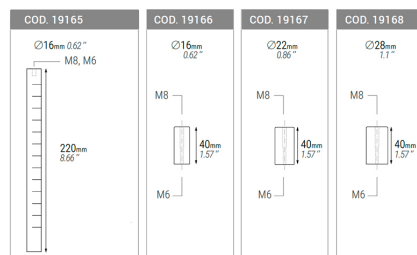
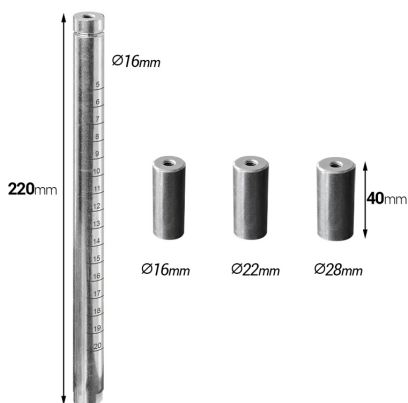
Metal bar length 40mm with connection M6 and M8 for use in combination with the TCP welding clamps.  
Available in Ø 16mm, 22mm or 28mm.

**SKU:** N/A

**VARIATIONS**

Image	SKU	Description	diameter	Price
	PIH-19166		16mm	€7,86 (excl. VAT)
	PIH-19167		22mm	€8,30 (excl. VAT)
	PIH-19168		28mm	€9,02 (excl. VAT)

### GALERIJAFBEELDINGEN



Metal bar length 40mm with connection M6 and M8 for use in combination with the TCP welding clamps.  
Available in Ø 16mm, 22mm or 28mm.

### PRODUCT INFORMATION

- M6 and M8 mounting hole
  - 40mm length
- To be used with the TCP clamps for welding tables

### DESCRIPTION

Metal bar length 40mm with connection M6 and M8 for use in combination with the TCP welding clamps.  
Available in Ø 16mm, 22mm or 28mm.

No video available for this product!

### DOWNLOADS

No download available.

### ADDITIONAL INFORMATION

<b>Weight</b>	0,2 kg
<b>Dimensions</b>	4 cm
<b>diameter</b>	16mm, 22mm, 28mm