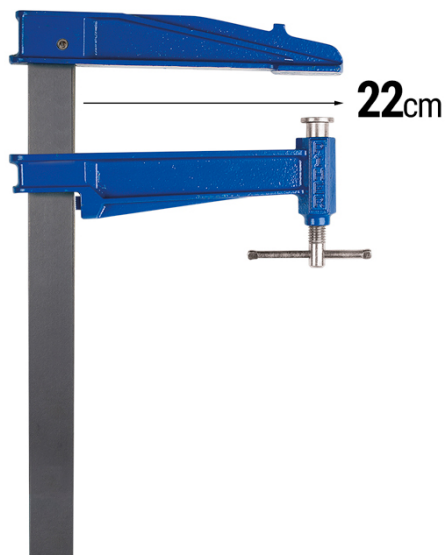


PIHER - CLASSIC CLAMP MOD. S



€90,11 - €113,18 (excl. VAT)

The blue piston Mod. S is a cast iron clamp with fully protected screw thread and anti-slip stop system on moving jaw, max pressure 700kg
Large clamping depth of 22cm.

Available in different lengths

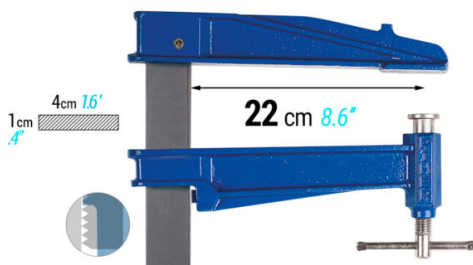
SKU: N/A

VARIATIONS

Image	SKU	Description	Clamping capacity	Price
	PIH-15030		30cm	€90,11 (excl. VAT)
	PIH-15040		40cm	€93,41 (excl. VAT)
	PIH-15050		50cm	€96,70 (excl. VAT)
	PIH-15060		60cm	€100,01 (excl. VAT)

Image	SKU	Description	Clamping capacity	Price
	PIH-15080		80cm	€106,59 (excl. VAT)
	PIH-15100		100cm	€113,18 (excl. VAT)

GALERIJAFBEELDINGEN





The blue piston Mod. S is a cast iron clamp with fully protected screw thread, which protects it against external influences: pieces of concrete, steel splint, welding particles, etc. The blue piston clamp has an extra resistant rolled steel bar and is treated with anti-rust. This blue piston clamp has a cast iron jaw coated with epoxy paint, as well as a non-slip stop system on the moving jaw to prevent a free fall. Extra large clamping depth of 22cm. 700 kg clamping force.

PRODUCT INFORMATION

- Large clamping depth of 22cm
- Anti-slip stop system on the moving jaw
- System with fully protected screw thread:

Protection against external influences: pieces of concrete, steel splint, welding particles, etc.

- Position system to prevent free fall of the claw
 - Cast iron jaws coated with epoxy paint
- Extra resistant rolled steel bar (90kg / mm²) of 40x10mm
 - Anti-rust treated
 - Maximum pressure 700kg

DESCRIPTION

The blue piston Mod. S is a cast iron clamp with fully protected screw thread, which protects it against external influences: pieces of concrete, steel splint, welding particles, etc. The blue piston clamp has an extra resistant

rolled steel bar and is treated with anti-rust This blue piston clamp has a cast iron jaw coated with epoxy paint, as well as a non-slip stop system on the moving jaw to prevent a free fall. Extra large clamping depth of 22cm. 700 kg clamping force.

No video available for this product!

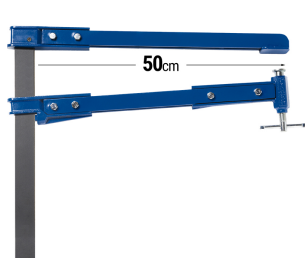
DOWNLOADS

No download available.

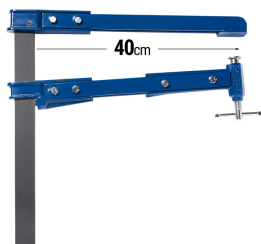
ADDITIONAL INFORMATION

Weight	N/A
Clamping capacity	30cm, 40cm, 50cm, 60cm, 80cm, 100cm
Clamping depth	22cm
Clamping force	700kg

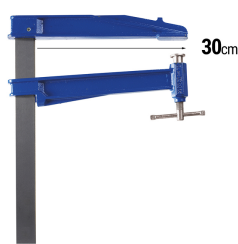
YOU MAY ALSO LIKE...



[PIHER - Classic clamp Mod. 50K](#)



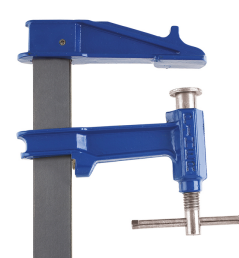
[PIHER - Classic clamp Mod. 40K](#)



[PIHER - Classic clamp Mod. K](#)



[PIHER - Classic clamp Mod. S](#)



[PIHER - Classic clamp Mod. R](#)



[PIHER - Classic clamp Mod. F](#)

[PIHER - Classic clamp Mod. E](#)