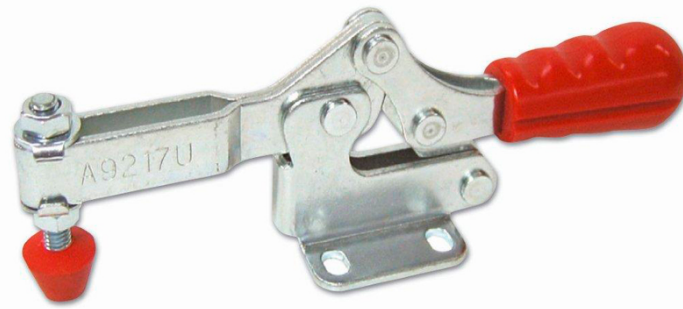


PIHER - HORIZONTAL TOGGLE CLAMP



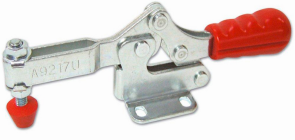
€20,44 - €44,10 (excl. VAT)

Horizontal toggle clamps made of steel, with PVC handle and soft neoprene pressure foot to prevent damage to your workpiece. The toggle clamps are available in different sizes and clamping force. All necessary dimensions can be found in the photos.

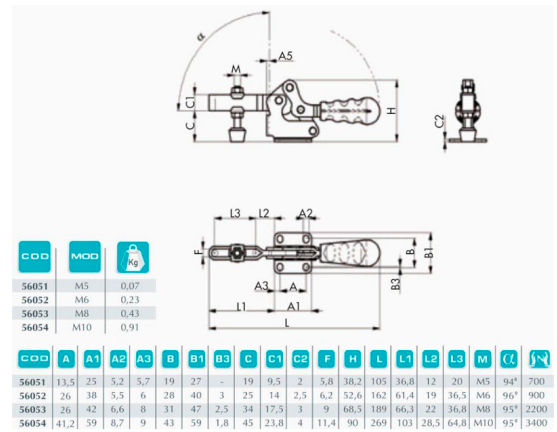
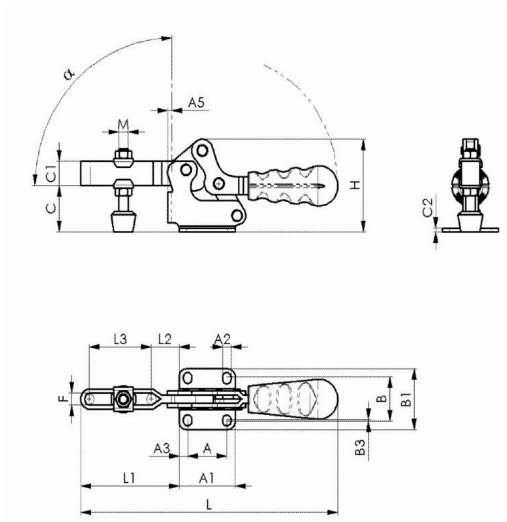
SKU: N/A

VARIATIONS

Image	SKU	Description	Thread	Price
	PIH-56050	Maximum clamping force 38kg	M4	€20,44 (excl. VAT)
	PIH-56051	Maximum clamping force 70kg	M5	€25,86 (excl. VAT)
	PIH-56052	Maximum clamping force 90kg	M6	€28,86 (excl. VAT)
	PIH-56053	Maximum clamping force 220kg	M8	€35,28 (excl. VAT)

Image	SKU	Description	Thread	Price
	PIH-56054	Maximum clamping force 340kg	M10	€44,10 (excl. VAT)

GALERIJAFBEELDINGEN



Horizontal toggle clamps made of steel, with PVC handle and soft neoprene pressure foot to prevent damage to your workpiece. The toggle clamps are available in different sizes and clamping force. All necessary dimensions can be found in the photos.

PRODUCT INFORMATION

- Body made of steel

- PVC handle
- Soft neoprene pressure foot
- Adjustable pressure foot height
- Available with M4, M5, M6, M8 or M10 foot

DESCRIPTION

Horizontal toggle clamps made of steel, with PVC handle and soft neoprene pressure foot to prevent damage to your workpiece. The toggle clamps are available in different sizes and clamping force. All necessary dimensions can be found in the photos.

No video available for this product!

DOWNLOADS

No download available.

ADDITIONAL INFORMATION

Weight	N/A
Dimensions	N/A
Thread	M10, M4, M5, M6, M8
Clamping force	38kg, 70kg, 90kg, 220kg, 340kg