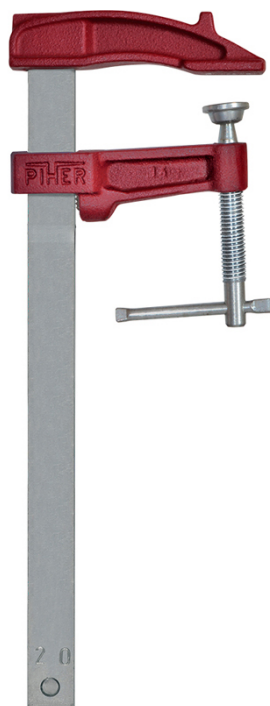


PIHER - MOD. M



€13,04 - €17,17 (excl. VAT)

Smaller clamp with cast iron jaws treated with epoxy paint.
Fine thread and cross-shaped handle, clamping force up to 400 kg.
Available in different lengths.

SKU: N/A

VARIATIONS





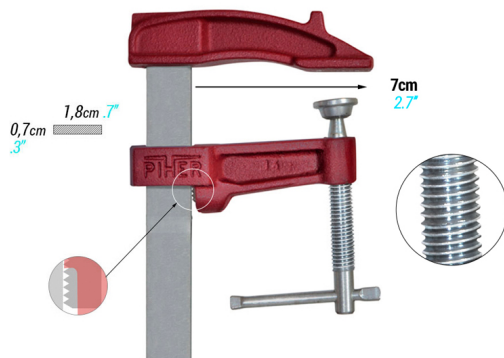
Image	SKU	Description	Clamping capacity	Price
	PIH-01012		12cm	€13,04 (excl. VAT)
	PIH-01015		15cm	€13,95 (excl. VAT)
	PIH-01020		20cm	€14,91 (excl. VAT)
	PIH-01025		25cm	€15,94 (excl. VAT)

Image	SKU	Description	Clamping capacity	Price
	PIH-01030		30cm	€17,17 (excl. VAT)

GALERIJAFBEELDINGEN



The glue clamp Mod. M from PIHER is a small handy screw clamp with fine thread with a cross-shaped handle (toggle handle) to obtain the highest possible clamping force.

They have a galvanized steel bar, anti-slip brake on the movable jaw and the jaws are coated with an epoxy paint.

They have a clamping depth of 7cm and clamping force up to 400 kg.

PRODUCT INFORMATION

- Anti-slip brake on movable jaw
- Cast iron jaws coated with epoxy paint
- Fine thread with cross-shaped handle
 - Galvanized steel bar
 - 400 kg clamping force

DESCRIPTION

The glue clamp Mod. M from PIHER is a small handy screw clamp with fine thread with a cross-shaped handle (toggle handle) to obtain the highest possible clamping force. They have a galvanized steel bar, anti-slip brake on the movable jaw and the jaws are coated with an epoxy paint. They have a clamping depth of 7cm and clamping force up to 400 kg.

No video available for this product!

DOWNLOADS

No download available.

ADDITIONAL INFORMATION

Weight	N/A
Clamping capacity	12cm, 15cm, 20cm, 25cm, 30cm
Clamping depth	7cm
Clamping force	400kg