

## PIHER - MULTICLAMP



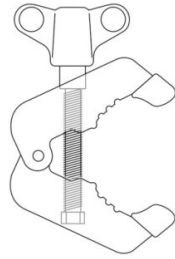
**€14,62 (excl. VAT)**

The Multiclamp is designed for use with the PIHER Multiprops telescopic supports, but can of course also be used separately.

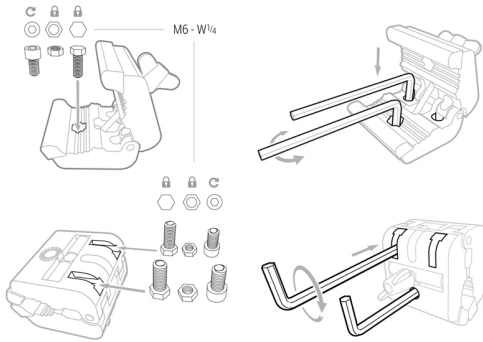
Within a few seconds the Multiclamps are screwed onto the telescopic supports and immediately loadable up to 150kg. Made entirely of nylon fiberglass. Steel screw, shaft and reinforcements. Equipped with anti-slip pads. They have different screw holes so you can mount them on any surface.

**SKU:** PIH-34052

## GALERIJAFBEELDINGEN



Ø 18-48mm  
3/4"-1 7/8"  
↓ 0-50mm  
0-1 7/8"



The Multiclamp is designed for use with the PIHER Multiprops telescopic supports, but can of course also be used separately.

Within a few seconds the Multiclamps are screwed onto the telescopic supports and immediately loadable up to 150kg.

The Multiclamps fit on all types of Multiprops or on other pipes and profiles of 18-48mm. You can also use them as a separate small clamp.

Made entirely of nylon fiberglass. Steel screw, shaft and reinforcements. Equipped with anti-slip pads. They have different screw holes so you can mount them on any surface.

Another PIHER product with endless possibilities.

### PRODUCT INFORMATION

- Nylon fiberglass jaws
- Clamping force up to 150kg
- For flat and curved surfaces, pipes
  - Anti-slip pads
- Multiple screw and nut holes (M6, M8, ...)

### DESCRIPTION

The Multiclamp is designed for use with the PIHER Multiprops telescopic supports, but can of course also be used separately. Within a few seconds the Multiclamps are screwed onto the telescopic supports and immediately loadable up to 150kg. The Multiclamps fit on all types of Multiprops or on other pipes and profiles of 18-48mm. You can also use them as a separate small clamp. Made entirely of nylon fiberglass. Steel screw, shaft and reinforcements. Equipped with anti-slip pads. They have different screw holes so you can mount them on any surface. Another PIHER product with endless possibilities.

### DOWNLOADS

No download available.

### ADDITIONAL INFORMATION

|                          |         |
|--------------------------|---------|
| <b>Weight</b>            | 0,22 kg |
| <b>Clamping force</b>    | 150kg   |
| <b>Clamping capacity</b> | 5cm     |