

PIHER - PISTON CLAMP FOR WELDING TABLE

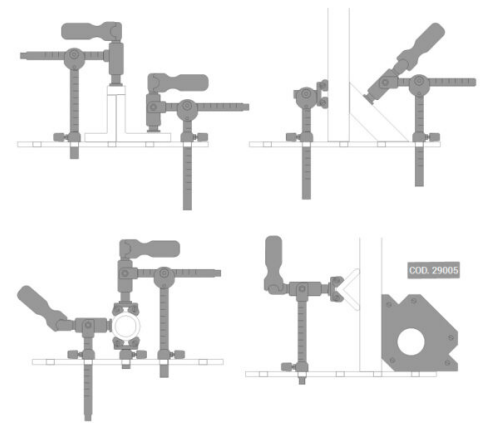
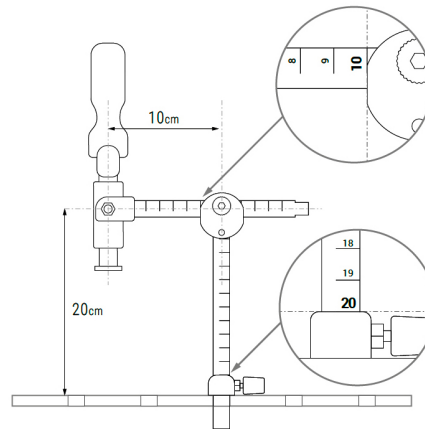
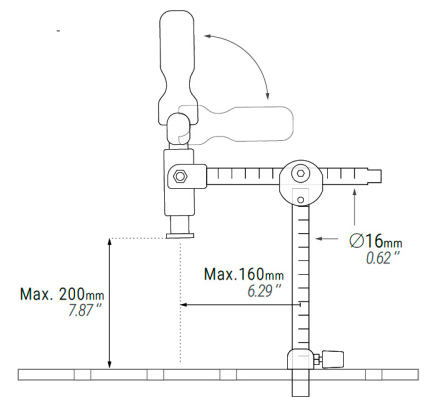
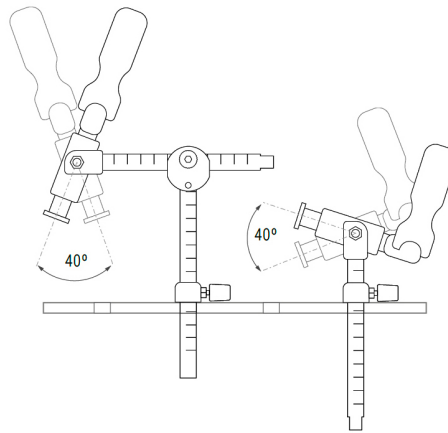
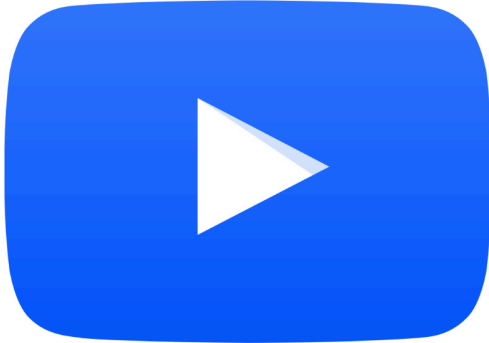


€75,03 (excl. VAT)

Designed with versatility to solve any clamping need on a welding table. Adaptable to any standard diameter. They feature an ergonomic PIHER handle with 3D joint position. Inside is a piston system with protected double fine screw thread. Horizontal and vertical clamping with a force of up to 350 kg. Adjustable up to 360 °. At the bottom there is a mobile stop that allows the shaft to be completely hidden under the table. The pressure surface has a mounting hole of M6 for mounting accessories.

SKU: PIH-19100

GALERIJAFBEELDINGEN



Designed with versatility to solve any clamping need on a welding table. Adaptable to any standard diameter. They feature an ergonomic PIHER handle with 3D joint position. Inside is a piston system with protected double fine screw thread. Horizontal and vertical clamping with a force of up to 350 kg. Adjustable up to 360 °. At the bottom there is a mobile stop that allows the shaft to be completely hidden under the table. The pressure surface has a mounting hole of M6 for mounting accessories.

PRODUCT INFORMATION

- Clamp for welding table
- PIHER piston system inside
- Horizontal and vertical clamping
 - Adjustable to any angle
- Galvanized bar and joints made of carbon steel
- Ergonomic handle, exchangeable and foldable. Made from PA with fiberglass
- Piston pressure surface with M6 for mounting accessories

DESCRIPTION

Designed with versatility to solve any clamping need on a welding table. Adaptable to any standard diameter. They feature an ergonomic PIHER handle with 3D joint position. Inside is a piston system with protected double fine screw thread. Horizontal and vertical clamping with a force of up to 350 kg. Adjustable up to 360 °. At the bottom there is a mobile stop that allows the shaft to be completely hidden under the table. The pressure surface has a mounting hole of M6 for mounting accessories.

DOWNLOADS

No download available.

ADDITIONAL INFORMATION

Weight	1 kg
Maximum clamping thickness	20cm
Clamping depth	16cm