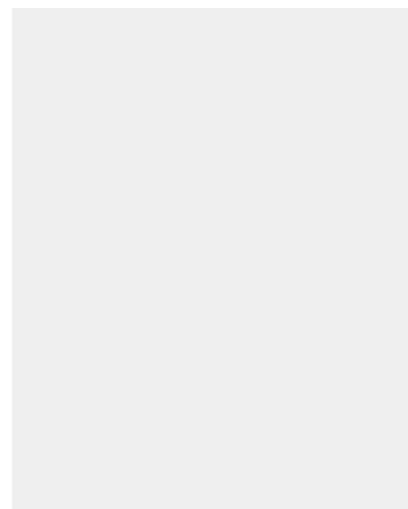
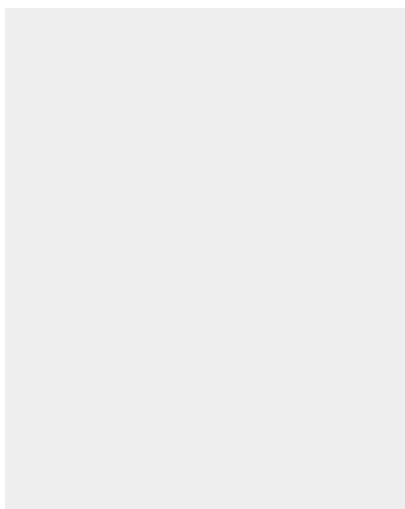


PIHER - PISTON EXTENSION WITH M6 AND M8 CONNECTION

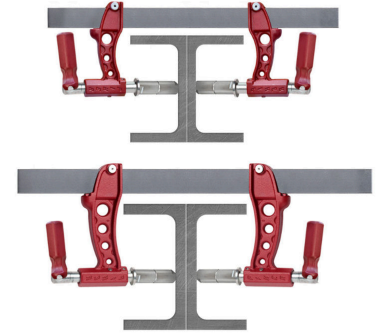
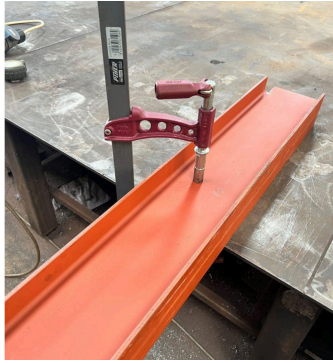
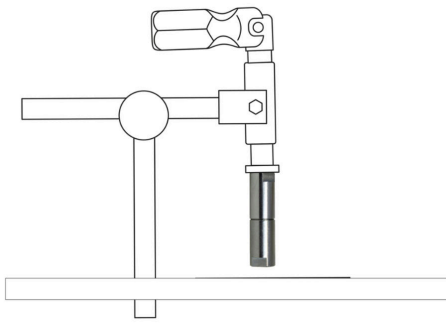


€22,21 (excl. VAT)

This piston extension is made of stainless steel and has a length of 4 cm. Assembly via M6 and M8 bolts. It can be easily mounted on the TCP clamp for welding tables and other clamps with an M6 or M8 mounting hole, increasing the clamping range.

SKU: PIH-60501

GALERIJAFBEELDINGEN



This piston extension is made of stainless steel and has a length of 4 cm. Assembly via M6 and M8 bolts. It can be easily mounted on the TCP clamp for welding tables and other clamps with an M6 or M8 mounting hole, increasing the clamping range.

PRODUCT INFORMATION

- Extension for TCP welding clamp and other clamps with M6 or M8 mounting hole
 - Made from stainless steel
 - 4 cm length
 - M6 and M8 assembly

DESCRIPTION

This piston extension is made of stainless steel and has a length of 4 cm. Assembly via M6 and M8 bolts. It can be easily mounted on the TCP clamp for welding tables and other clamps with an M6 or M8 mounting hole, increasing the clamping range.

No video available for this product!

DOWNLOADS

No download available.

ADDITIONAL INFORMATION

Weight	0,45 kg
Dimensions	4 cm