

PIHER - PRESSURE LIFT SCREW WITH T-SHAPED HANDLE XXL

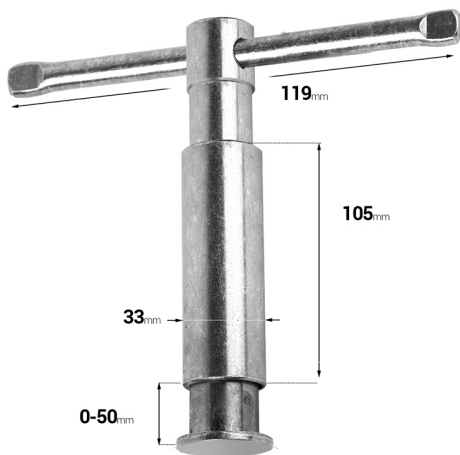


€35,70 (excl. VAT)

Pressure lift screw with T-shaped handle and protected screw thread.
Weldable steel body.

SKU: PIH-94330

GALERIJAFBEELDINGEN



Pressure lift screw with T-shaped handle and protected screw thread.
Weldable steel body.

PRODUCT INFORMATION

- With T-shaped handle
- Steel, weldable body
- Protected thread

DESCRIPTION

Pressure lift screw with T-shaped handle and protected screw thread. Weldable steel body.

No video available for this product!

DOWNLOADS

No download available.

ADDITIONAL INFORMATION

Weight

0,83 kg