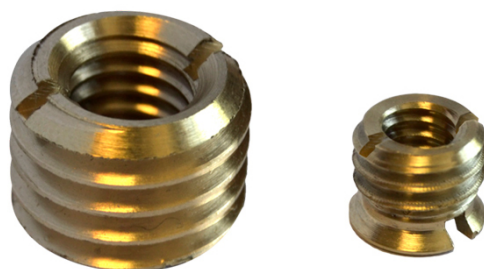


PIHER - THREADED ADAPTERS FOR UNIVERSAL HOLDER

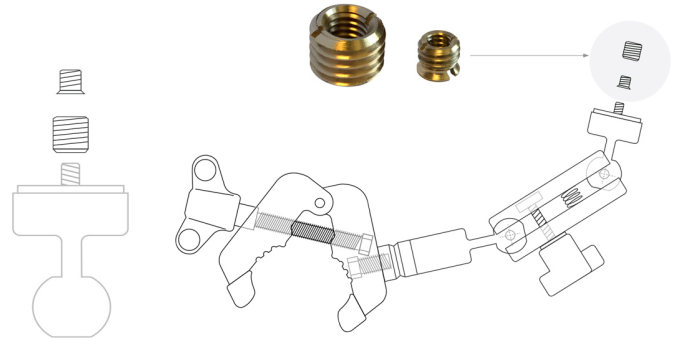


€8,15 (excl. VAT)

This set contains two threaded adapters for use on the PIHER Universal Holder (34061).
5/8 "and 3/8" adapters made of brass.

SKU: PIH-34059

GALERIJAFBEELDINGEN



This set contains two threaded adapters for use on the PIHER Universal holder (code 34061). 5/8 "and 3/8" adapters made of brass.

PRODUCT INFORMATION

- Set of two pieces
 - 5/8 "and 3/8"
 - Made of brass
- For the PIHER Universal holder (code 34061)

DESCRIPTION

This set contains two threaded adapters for use on the PIHER Universal holder (code 34061). 5/8 "and 3/8" adapters made of brass.

No video available for this product!

DOWNLOADS

No download available.

ADDITIONAL INFORMATION

Weight

0,025 kg