

## PIHER - THREADED ADAPTERS FOR UNIVERSAL HOLDER

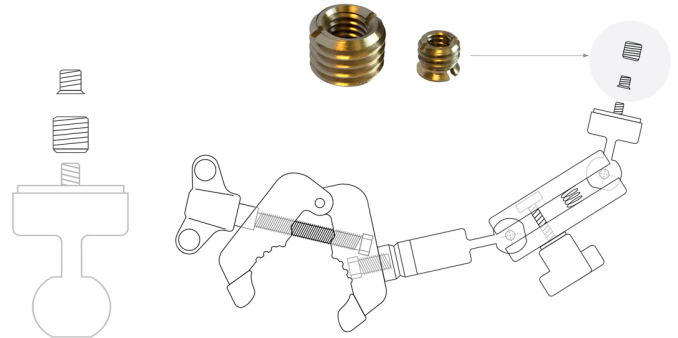


**€7,95 (excl. VAT)**

This set contains two threaded adapters for use on the PIHER Universal Holder (34061).  
5/8 "and 3/8" adapters made of brass.

**SKU:** PIH-34059

**GALERIJAFBEELDINGEN**



This set contains two threaded adapters for use on the PIHER Universal holder (code 34061). 5/8 "and 3/8" adapters made of brass.

### PRODUCT INFORMATION

- Set of two pieces
  - 5/8 "and 3/8"
  - Made of brass
- For the PIHER Universal holder (code 34061)

## DESCRIPTION

This set contains two threaded adapters for use on the PIHER Universal holder (code 34061). 5/8 "and 3/8" adapters made of brass.

No video available for this product!

## DOWNLOADS

No download available.

## ADDITIONAL INFORMATION

### Weight

0,025 kg