

PIHER - SET OF FIXED FEET FOR MULTIPROPS



€19,71 (excl. VAT)

Handy set of two fixed feet for mounting on the PIHER Multiprops.

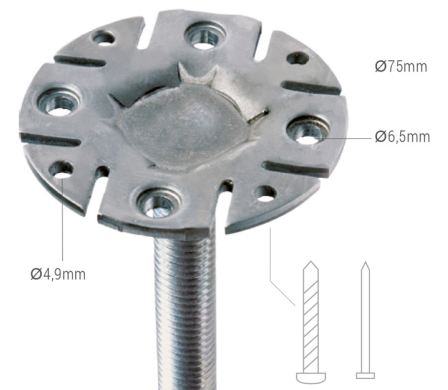
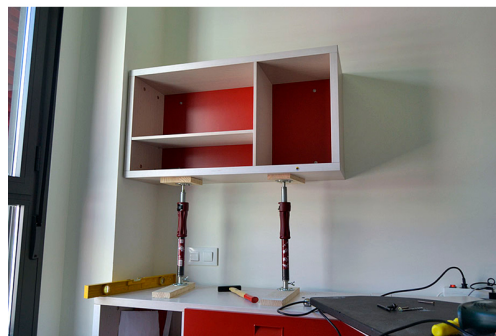
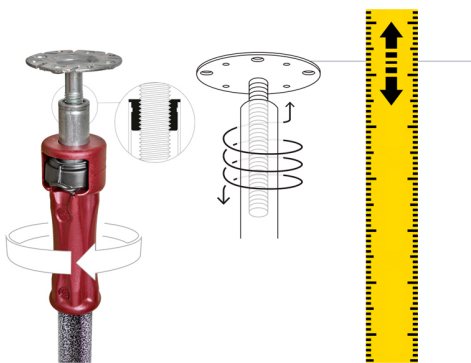
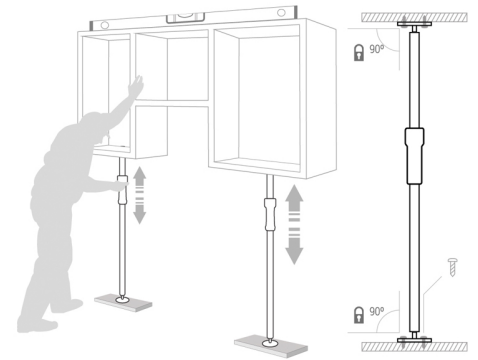
Made entirely of steel with mounting holes of 4.9mm and 6.5mm for easy attachment to various materials.

The feet have a diameter of 75mm.

This set provides a lot of stability for your Multiprop, for example, to make leveling a wall cupboard easier.

SKU: PIH-34039

GALERIJAFBEELDINGEN



Handy set of two fixed feet for mounting on the PIHER Multiprops.

Made entirely of steel with mounting holes of 4.9mm and 6.5mm for easy attachment to various materials.

The feet have a diameter of 75mm.

This set provides a lot of stability for your Multiprop, for example, to make leveling a wall cupboard easier.

PRODUCT INFORMATION

- Made from steel
- Screw holes for mounting on metal or wooden surfaces
 - Supports always remain parallel
- Locks the suspension system to improve accuracy and safety

DESCRIPTION

Handy set of two fixed feet for mounting on the PIHER Multiprops. Made entirely of steel with mounting holes of 4.9mm and 6.5mm for easy attachment to various materials. The feet have a diameter of 75mm. This set provides a lot of stability for your Multiprop, for example, to make leveling a wall cupboard easier.

No video available for this product!

DOWNLOADS

No download available.

ADDITIONAL INFORMATION

Weight	0,39 kg
diameter	
Schroefgaten	