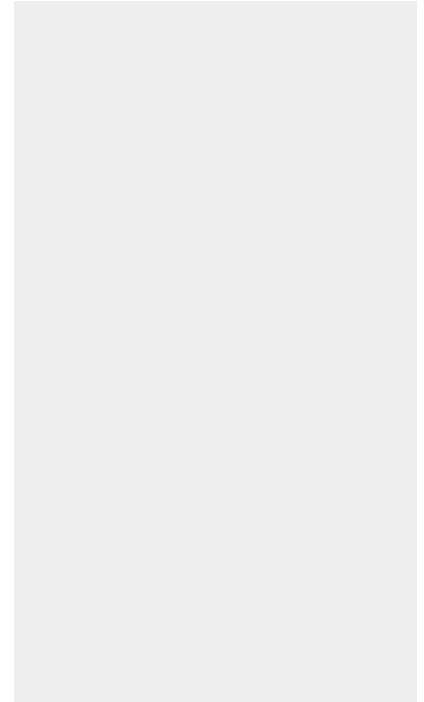
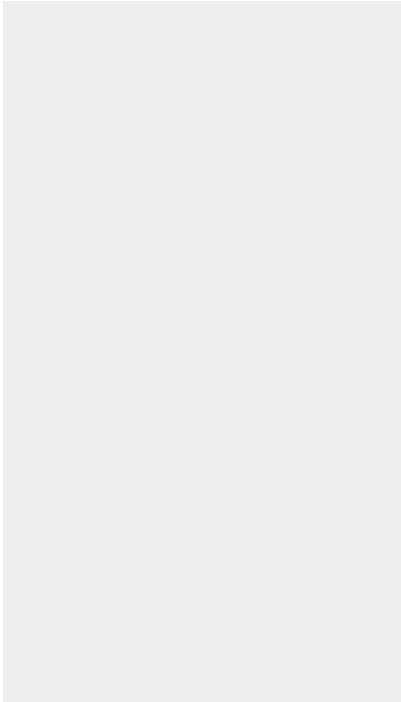


PIHER - STEEL BAND CLAMP OCTAGONAL

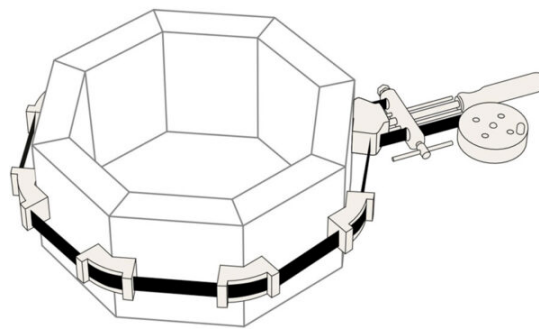


€97,06 (excl. VAT)

These steel band clamps from PIHER are super handy for assembly work. No more need for different clamps. They are equipped with an extra strong steel band (CK67S) with rounded corners, so the band cannot cut. The clamp itself is made of steel with a beechwood handle and nylon corners. Working with a steel band clamp ensures precise connections and evenly distributed pressure. For octagonal workpieces.

SKU: PIH-24008

GALERIJAFBEELDINGEN



These steel band clamps from PIHER are super handy for assembly work. No more need for different clamps. They are equipped with an extra strong steel band (CK67S) with rounded corners, so the band cannot cut. The clamp itself is made of steel with a beechwood handle and nylon corners. Working with a steel band clamp ensures precise connections and evenly distributed pressure.

PRODUCT INFORMATION

- For octagonal workpieces
- Extra strong steel band (CK67S)
 - Rounded steel band
 - Steel clamp
 - Beech handle
- Evenly distributed pressure

DESCRIPTION

These steel band clamps from PIHER are super handy for assembly work. No more need for different clamps. They are equipped with an extra strong steel band (CK67S) with rounded corners, so the band cannot cut. The clamp itself is made of steel with a beechwood handle and nylon corners. Working with a steel band clamp ensures precise connections and evenly distributed pressure.

DOWNLOADS

No download available.

ADDITIONAL INFORMATION

Weight	1,45 kg
Clamping capacity	500cm