

PIHER - STEEL BAND CLAMP RECTANGULAR






€78,88 - €96,61 (excl. VAT)

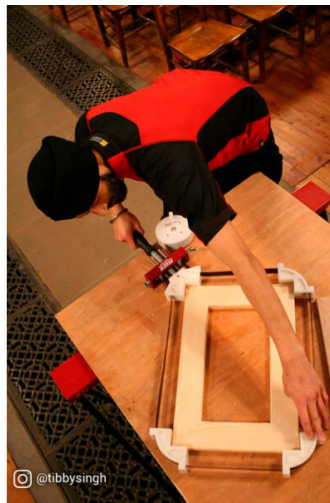
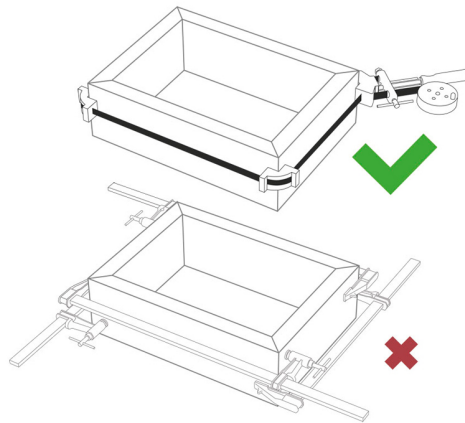
These steel band clamps from PIHER are super handy for assembly work. No more need for different clamps. They are equipped with an extra strong steel band (CK67S) with rounded corners, so the band cannot cut. The clamp itself is made of steel with a beechwood handle and nylon corners. Working with a steel band clamp ensures precise connections and evenly distributed pressure. Available in different sizes.

SKU: N/A

VARIATIONS

Image	SKU	Description	Clamping capacity	Price
	PIH-24002		500cm	€78,88 (excl. VAT)
	PIH-24003		650cm	€89,16 (excl. VAT)
	PIH-24004		800cm	€96,61 (excl. VAT)

GALERIJAFBEELDINGEN



These steel band clamps from PIHER are super handy for assembly work. No more need for different clamps. They are equipped with an extra strong steel band (CK67S) with rounded corners, so the band cannot cut. The clamp itself is made of steel with a beechwood handle and nylon corners. Working with a steel band clamp ensures precise connections and evenly distributed pressure. Available in different sizes.

PRODUCT INFORMATION

- Nylon corners
- Extra strong steel band (CK67S)
- Rounded steel band

- Steel clamp
- Beech handle
- Evenly distributed pressure

DESCRIPTION

These steel band clamps from PIHER are super handy for assembly work. No more need for different clamps. They are equipped with an extra strong steel band (CK67S) with rounded corners, so the band cannot cut. The clamp itself is made of steel with a beechwood handle and nylon corners. Working with a steel band clamp ensures precise connections and evenly distributed pressure. Available in different sizes.

DOWNLOADS

No download available.

ADDITIONAL INFORMATION

Weight	N/A
Clamping capacity	500cm, 650cm, 800cm