

PIHER - UNIVERSAL HOLDER



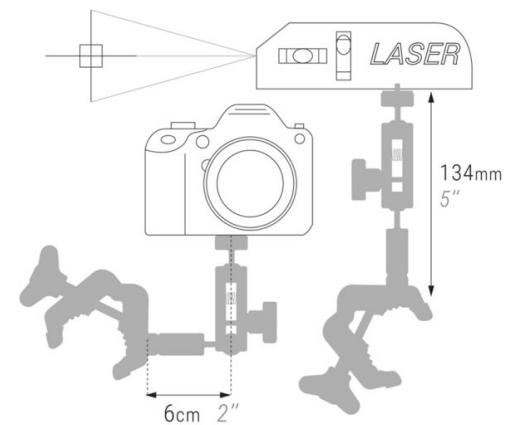
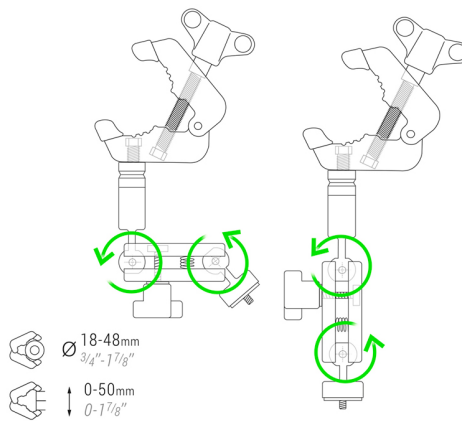
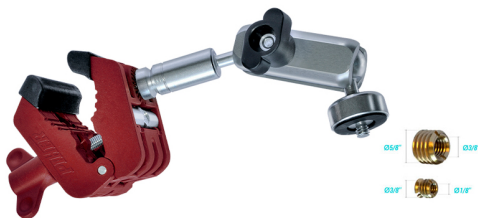
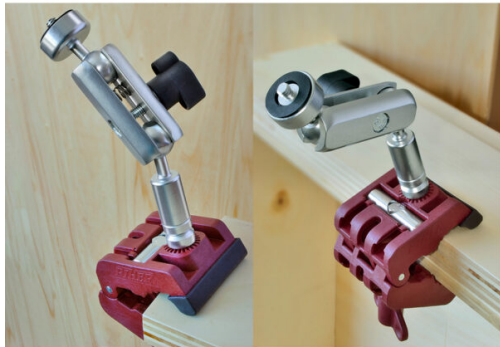
€65,38 (excl. VAT)

Equipped with UNC 1/4 thread and comes with adapters to 3/8 and 5/8.
With a carrying capacity of up to 3kg, it is ideal for placing lasers, cameras, beamers etc.

Fits on all Multiprops or other surfaces up to 50mm thickness.

SKU: PIH-34061

GALERIJAFBEELDINGEN



This universal holder from PIHER is made of aluminum and is therefore very sturdy.

By using only one joint, it can be put in any desired position.

Very easy to place on all telescopic supports or surfaces up to 50mm thickness.

Equipped with UNC 1/4 thread and comes with adapters to 3/8 and 5/8.

With a carrying capacity of up to 3kg, it is ideal for placing lasers, cameras, beamers etc.

Even in the music business it is used as a universal microphone holder!

PRODUCT INFORMATION

- Made of aluminum
- Multi position with only one joint
 - Easy to install
 - UNC 1/4 thread
- Includes 3/5 and 5/8 thread adapter
 - Carrying capacity up to 3kg
- For laser, camera or other products that use screw mounting

DESCRIPTION

This universal holder from PIHER is made of aluminum and is therefore very sturdy. By using only one joint, it can be put in any desired position. Very easy to place on all telescopic supports or surfaces up to 50mm thickness. Equipped with UNC 1/4 thread and comes with adapters to 3/8 and 5/8. With a carrying capacity of up to 3kg, it is ideal for placing lasers, cameras, beamers etc. Even in the music business it is used as a universal microphone holder!

No video available for this product!

DOWNLOADS

No download available.

ADDITIONAL INFORMATION

Weight	0,42 kg
Clamping capacity	5cm
Clamping force	150kg