

PIHER - VERTICAL TOGGLE CLAMP



€23,25 - €69,75 (excl. VAT)

Vertical toggle clamps made of steel, with PVC handle and soft neoprene pressure foot to prevent damage to your workpiece. The toggle clamps are available in different sizes and clamping force. All necessary dimensions can be found in the photos.

SKU: N/A

VARIATIONS

| Image | SKU | Description | Thread | Price |
|---|-----------|------------------------------|--------|--------------------|
|  | PIH-56001 | Maximum clamping force 45kg | M5 | €23,25 (excl. VAT) |
|  | PIH-56002 | Maximum clamping force 150kg | M6 | €29,66 (excl. VAT) |
|  | PIH-56003 | Maximum clamping force 250kg | M8 | €34,27 (excl. VAT) |
|  | PIH-56004 | Maximum clamping force 340kg | M10 | €44,50 (excl. VAT) |

Image

SKU

Description

Thread

Price

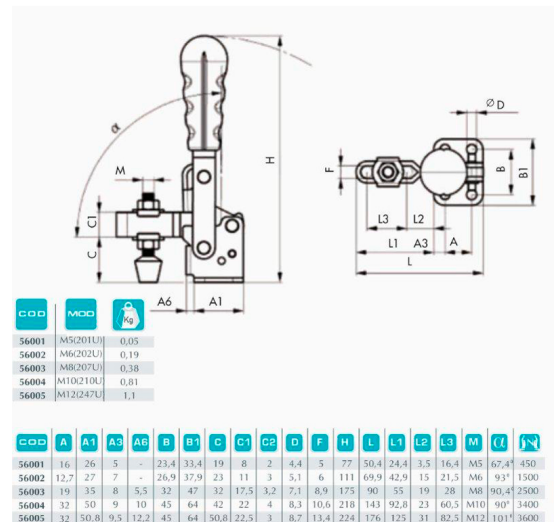
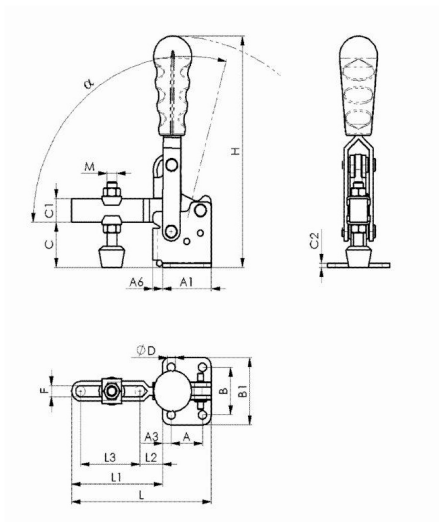


PIH-56005

Maximum clamping force 360kg

M12 €69,75 (excl. VAT)

GALERIJAFBEELDINGEN



Vertical toggle clamps made of steel, with PVC handle and soft neoprene pressure foot to prevent damage to your workpiece. The toggle clamps are available in different sizes and clamping force. All necessary dimensions can be found in the photos.

PRODUCT INFORMATION

- Body made of steel

- PVC handle
- Soft neoprene pressure foot
- Adjustable pressure foot height
- Available with M5, M6, M8, M10 or M12 foot

DESCRIPTION

Vertical toggle clamps made of steel, with PVC handle and soft neoprene pressure foot to prevent damage to your workpiece. The toggle clamps are available in different sizes and clamping force. All necessary dimensions can be found in the photos.

No video available for this product!

DOWNLOADS

No download available.

ADDITIONAL INFORMATION

| | |
|-----------------------|----------------------------------|
| Weight | N/A |
| Dimensions | N/A |
| Thread | M10, M12, M5, M6, M8 |
| Clamping force | 45kg, 150kg, 250kg, 340kg, 360kg |