

## PLUNGE-CUT SAW TT85

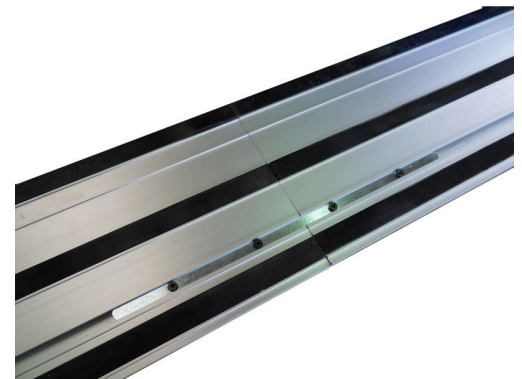
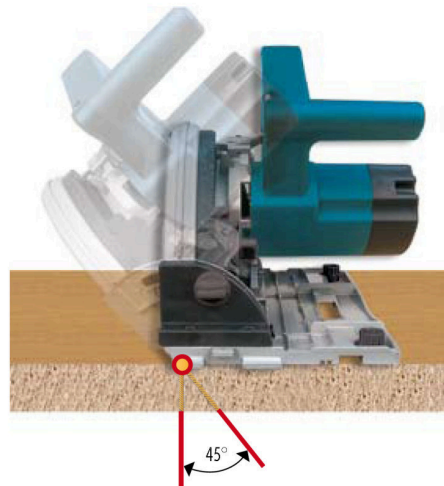
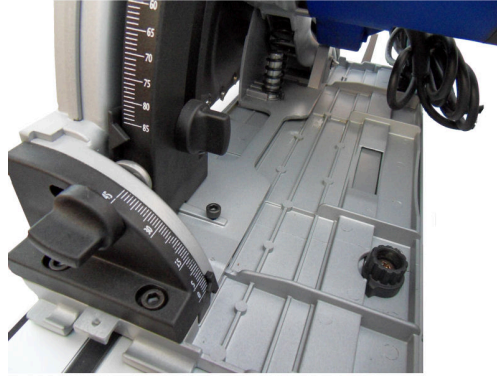


**€409,09 (excl. VAT)**

The TT85 is a plunge-cut saw with a robust and ergonomic design and a cutting range of up to 85 mm. In addition, it can cut to within 13.5 mm of a vertical edge. Using the guide rail, which comes as a standard, you always make perfectly straight and stable cuts. The rail also has an elastic rubber edge that prevents splintering. Thanks to its powerful 1600 W (5000 rpm) motor, this machine cuts easily through different materials. The saw blade's quick stop and automatic shut-off on overload provide increased safety. Thanks to the anti-slip coating on the rear handle, you always have full control of the machine while working. It is equipped with a handle, allowing the easy replacement of the saw blade.

**SKU: 0PSTT085**

## GALERIJAFBEELDINGEN



The TT85 is a plunge-cut saw with a robust and ergonomic design and a cutting range of up to 85 mm. Thanks to the plunge-cut system, you can start cutting in the middle of a panel. In addition, it can cut to within 13.5 mm of a vertical edge. Using the guide rail, which comes as a standard, you always make perfectly straight and stable cuts. The rail also has an elastic rubber edge that prevents splintering. The saw fits directly on the rail, without additional accessories. Thanks to its powerful 1600 W (5000 rpm) motor, this machine cuts easily through different materials. The motor is equipped with a soft start to prevent shocks at startup. The rapid stop of the saw blade and automatic shutdown in the event of an overload provide increased safety. Thanks to the anti-slip coating on the rear handle, you always have full control of the machine while working. It is equipped

with a handle, allowing the easy replacement of the saw blade.

As a standard, this plunge-cut saw comes with a 28-teeth saw blade with a diameter of 230 mm and a bore of 20 mm. Standard equipment further includes a handy carrying case and the 1400 mm guide rail.

The guide rail can be extended by means of an additional 800 or 1400 mm guide rail and a connection kit.

Furthermore, we also recommend the T-Track Quick clamp to secure the workpiece to the guide rail.

This plunge-cut saw is particularly suitable for cutting formwork and pieces that require cutting to a depth of 85 mm.

### PRODUCT INFORMATION

- Plunge-cut saw
- Precise depth control 0-85 mm
- Up to 13.5 mm from vertically upright side
  - Powerful motor (1600 W)
- Standard with saw blade with diameter 230 mm and bore 20 mm
- Comes standard with the 1400 mm guide rail

### DESCRIPTION

The TT85 is a plunge-cut saw with a robust and ergonomic design and a cutting range of up to 85 mm. Thanks to the plunge-cut system, you can start cutting in the middle of a panel. In addition, it can cut to within 13.5 mm of a vertical edge. Using the guide rail, which comes as a standard, you always make perfectly straight and stable cuts. The rail also has an elastic rubber edge that prevents splintering. The saw fits directly on the rail, without additional accessories. Thanks to its powerful 1600 W (5000 rpm) motor, this machine cuts easily through different materials. The motor is equipped with a soft start to prevent shocks at startup. The rapid stop of the saw blade and automatic shutdown in the event of an overload provide increased safety. Thanks to the anti-slip coating on the rear handle, you always have full control of the machine while working. It is equipped with a handle, allowing the easy replacement of the saw blade. As a standard, this plunge-cut saw comes with a 28-teeth saw blade with a diameter of 230 mm and a bore of 20 mm. Standard equipment further includes a handy carrying case and the 1400 mm guide rail. The guide rail can be extended by means of an additional 800 or 1400 mm guide rail and a connection kit. Furthermore, we also recommend the T-Track Quick clamp to secure the workpiece to the guide rail. This plunge-cut saw is particularly suitable for cutting formwork and pieces that require cutting to a depth of 85 mm.

No video available for this product!

## DOWNLOADS

No download available.

## ADDITIONAL INFORMATION

<b>Weight</b>	7,5 kg
<b>Dimensions</b>	470 × 400 × 435 cm
<b>No-load speed</b>	5000 rpm