

PROFI DRILL-MATIC



€433,86 (excl. VAT)

The PROFI Drill-Matic is an adapter that allows you to drill cabinet hinges on the Line Driller line boring machines.

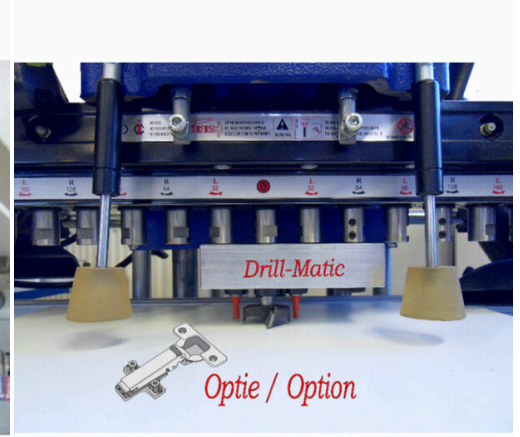
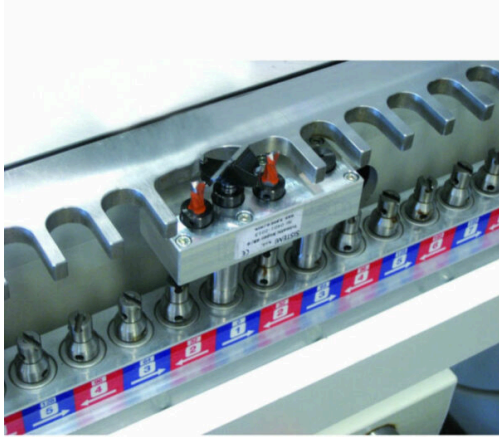
SKU: N/A

VARIATIONS

Image	SKU	Description	Type of cabinet hinge	Price
	PROFI DRILL-MATIC T45/9,5P		Blum	€433,86 (excl. VAT)
	PROFI DRILL-MATIC T42/11P		Grass	€433,86 (excl. VAT)
	PROFI DRILL-MATIC T52/5,5P		Hettich	€433,86 (excl. VAT)
	PROFI DRILL-MATIC T52/7,5P		Maxi	€433,86 (excl. VAT)

Image	SKU	Description	Type of cabinet hinge	Price
	PROFI DRILL-MATIC T48/9P		Mepla	€433,86 (excl. VAT)
	PROFI DRILL-MATIC T38/7,5P		Mini	€433,86 (excl. VAT)
	PROFI DRILL-MATIC T48/6P		Salice	€433,86 (excl. VAT)

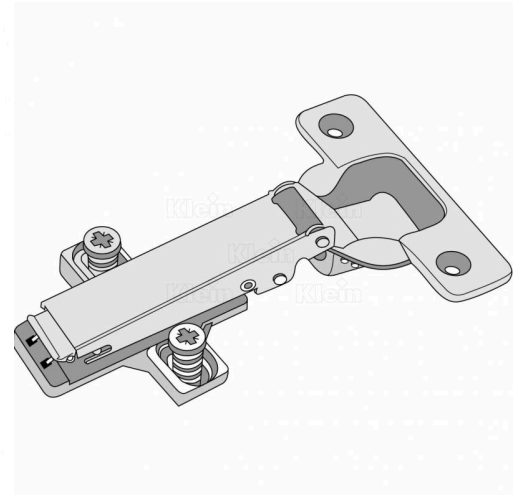
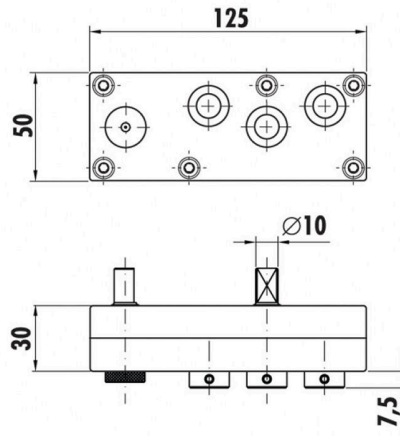
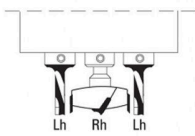
GALERIJAFBEELDINGEN



DIMENSIONS



The central bit must have right hand rotation, the lateral bits have left hand rotation.



The PROFI Drill-Matic is an adapter that allows you to drill cabinet hinges on line boring machines. The adapter is simply mounted on the drill head.

This adapter is ideally suited for the Line Driller TT13LDM and TT13LDPN, TT21Plus, TT23EBM1 and TT23EBM2.

With the PROFI Drill-Matic from Tendotools, you can quickly and precisely drill all cabinet hinges of the Blum, Hettich, Salice, Mepla, Grass, Mini and Maxi brands.

What's important in this system is that the hinge drill (in the middle) is right-turning and the outer drills are left-turning.

The drill bits have to be ordered separately and are available in different diameters (3, 5 and 8 mm for the left-

turning drills, 26, 35 and 40 mm for the right-turning drills).

PRODUCT INFORMATION

- Adapter for the Line Driller line boring machines
- For all cabinet hinges of the Blum, Hettich, Salice, Mepla, Grass, Mini and Maxi brands
 - Drill bits to be ordered separately

DESCRIPTION

The PROFI Drill-Matic is an adapter that allows you to drill cabinet hinges on line boring machines. The adapter is simply mounted on the drill head. This adapter is ideally suited for the Line Driller TT13LDM and TT13LDPN, TT21Plus, TT23EBM1 and TT23EBM2. With the PROFI Drill-Matic from Tendotools, you can quickly and precisely drill all cabinet hinges of the Blum, Hettich, Salice, Mepla, Grass, Mini and Maxi brands. What's important in this system is that the hinge drill (in the middle) is right-turning and the outer drills are left-turning. The drill bits have to be ordered separately and are available in different diameters (3, 5 and 8 mm for the left-turning drills, 26, 35 and 40 mm for the right-turning drills).

No video available for this product!

DOWNLOADS

No download available.

ADDITIONAL INFORMATION

Weight	25 kg
Type of cabinet hinge	Blum, Grass, Hettich, Maxi, Mepla, Mini, Salice