

## QUATRO SAW BLADE FOR HARD MATERIALS Ø180MM - BORE 30MM



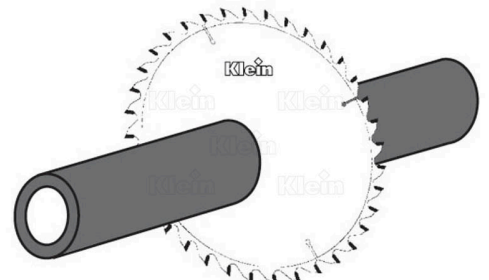
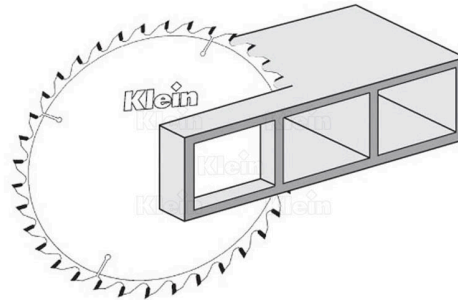
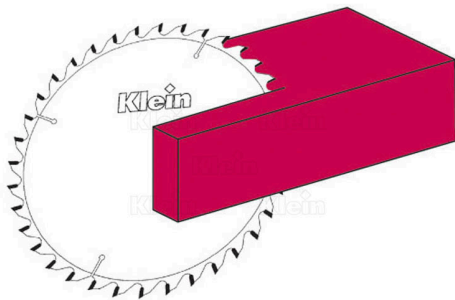
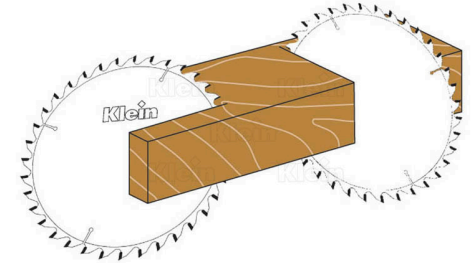
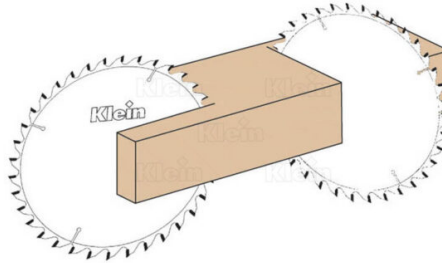
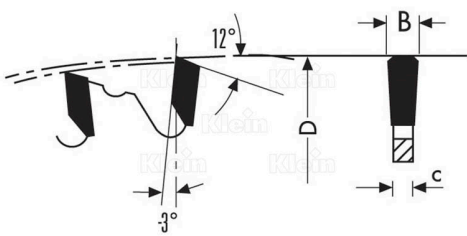
**€58,00 (excl. VAT)**

### Saw blade with 30 teeth

Saw blade 'Quatro' with special form of teeth, suited for cutting of ferro & non-ferro metal, aluminium, hardwood and other hard materials. For hand saws, mitre-saws and table saws. This saw blade delivers a precise and clean cut.

**SKU:** KL-LZ18003430

## GALERIJAFBEELDINGEN



### Saw blade with 30 teeth

Saw blade 'Quatro' with special form of teeth, suited for cutting of ferro & non-ferro metal, aluminium, hardwood and other hard materials. For hand saws, mitre-saws and table saws. This saw blade delivers a precise and clean cut. Make sure to use the right amount of teeth to achieve optimal results of your project. A low number of teeth is suited for fast-paced and rough sawing. A high number of teeth calls for a lower operating speed but guarantees a clean cut.

## PRODUCT INFORMATION

- Fine cut HW saw blade
- TR special form of teeth
- 3° negative hook angle
  - For hard materials
- For hand saws, mitre-saws and table saws.

## DESCRIPTION

**Saw blade with 30 teeth** Saw blade 'Quatro' with special form of teeth, suited for cutting of ferro & non-ferro metal, aluminium, hardwood and other hard materials. For hand saws, mitre-saws and table saws. This saw blade delivers a precise and clean cut. Make sure to use the right amount of teeth to achieve optimal results of your project. A low number of teeth is suited for fast-paced and rough sawing. A high number of teeth calls for a lower operating speed but guarantees a clean cut.

No video available for this product!

## DOWNLOADS

No download available.

## ADDITIONAL INFORMATION

<b>Weight</b>	1 kg
<b>Diameter sawblade</b>	180mm
<b>Shaft diameter</b>	30 mm
<b>Thickness teeth</b>	2,2mm
<b>Thickness Sawblade</b>	1,6mm
<b>Number of teeth</b>	30