

RAISED PANEL BIT 15° (Z=2) SHANK 12MM - Ø86MM



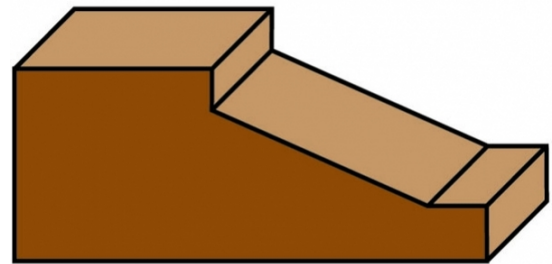
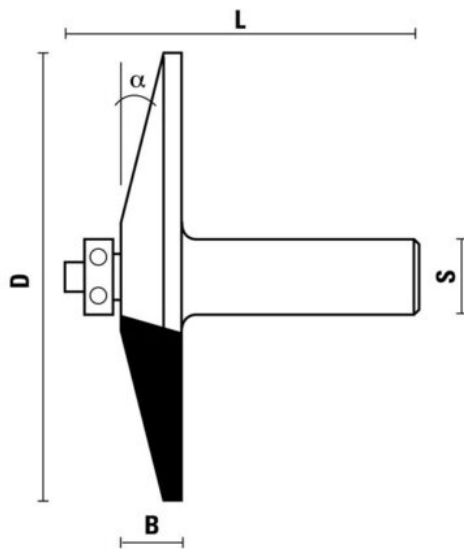
€139,90 (excl. VAT)

This horizontal raised panel bit is perfect for manufacturing cabinet doors or other furniture. The router bit has a large diameter but, thanks to a perfect balance, will always work smoothly without vibration problems.

Equipped with a ball bearing for easier work. Thanks to the cutting edges in high quality carbide metal, you can use this bit effortlessly on most types of wood. We recommend passing several times to obtain a perfect result.

SKU: KL-E178861R

GALERIJAFBEELDINGEN



This horizontal raised panel bit is perfect for manufacturing cabinet doors or other furniture. The router bit has a large diameter but, thanks to a perfect balance, will always work smoothly without vibration problems.

Equipped with a ball bearing for easier work. Thanks to the cutting edges in high quality carbide metal, you can use this bit effortlessly on most types of wood. We recommend passing several times to obtain a perfect result.

PRODUCT INFORMATION

- HW carbide cutting edges
 - For most wood types
 - For raised panels
- For router milling machines or CNC machines

DESCRIPTION

This horizontal raised panel bit is perfect for manufacturing cabinet doors or other furniture. The router bit has a large diameter but, thanks to a perfect balance, will always work smoothly without vibration problems.

Equipped with a ball bearing for easier work. Thanks to the cutting edges in high quality carbide metal, you can use this bit effortlessly on most types of wood. We recommend passing several times to obtain a perfect result.

No video available for this product!

DOWNLOADS

No download available.

ADDITIONAL INFORMATION

Weight	0,05 kg
diameter	86mm
Cutting length	13mm
Length	61mm
Angle	15°
Shank	12mm
Cutting edges	2