

REDUCER 25 - 100MM

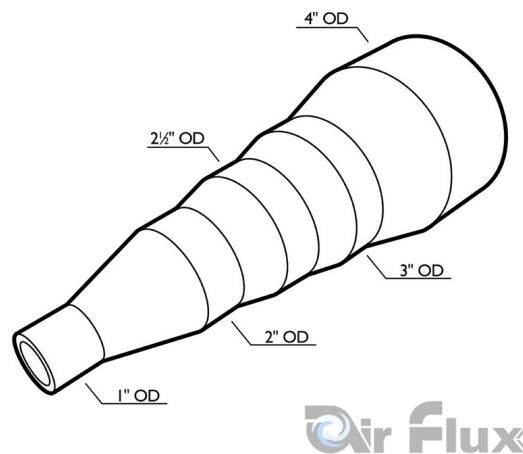


€12,40 (excl. VAT)

Reducer fitting to be used with the different models of Air Flux Dust extractors. Can be cut off on the appropriate diameter.

SKU: AIR-40102

GALERIJAFBEELDINGEN



Reducer fitting to be used with the different models of Air Flux Dust extractors. Can be cut off on the appropriate diameter.

PRODUCT INFORMATION

- Reducer 25-100mm
- Different steps of 25-50-63-76-100mm

DESCRIPTION

Reducer fitting to be used with the different models of Air Flux Dust extractors. Can be cut off on the appropriate diameter.

No video available for this product!

DOWNLOADS

No download available.

ADDITIONAL INFORMATION

Weight

0,5 kg