

### REDUCER 25 - 100MM

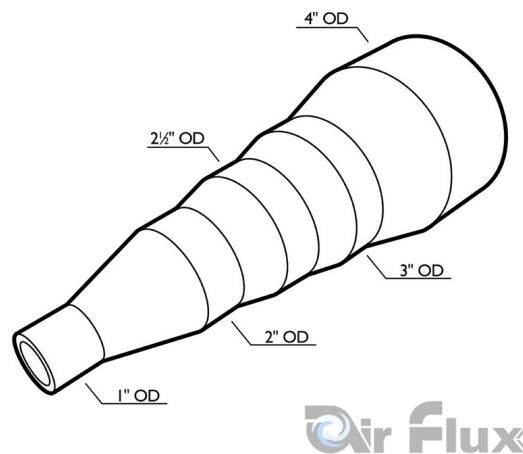


**€12,40 (excl. VAT)**

Reducer fitting to be used with the different models of Air Flux Dust extractors. Can be cut off on the appropriate diameter.

**SKU:** AIR-40102

### GALERIJAFBEELDINGEN



Reducer fitting to be used with the different models of Air Flux Dust extractors. Can be cut off on the appropriate diameter.

### PRODUCT INFORMATION

- Reducer 25-100mm
- Different steps of 25-50-63-76-100mm

### DESCRIPTION

Reducer fitting to be used with the different models of Air Flux Dust extractors. Can be cut off on the appropriate diameter.

No video available for this product!

### DOWNLOADS

No download available.

## ADDITIONAL INFORMATION

**Weight**

0,5 kg