

REDUCER 25 - 150MM

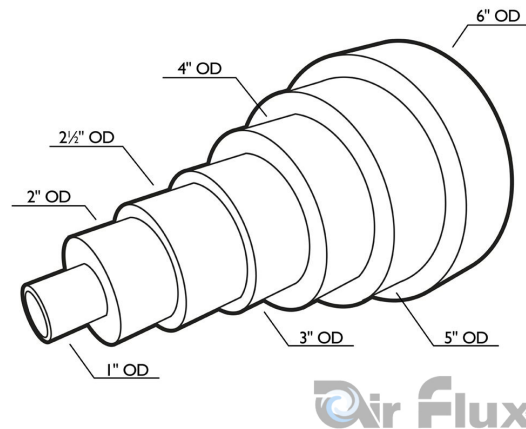


€12,40 (excl. VAT)

Reducer fitting to be used with the different models of Air Flux Dust extractors. Can be cut off on the appropriate diameter.

SKU: 3DU1039

GALERIJAFBEELDINGEN



Reducer fitting to be used with the different models of Air Flux Dust extractors. Can be cut off on the appropriate diameter.

PRODUCT INFORMATION

- Reducer 25-150mm
- Diameters: 25-50-63-76-100-125-150mm

DESCRIPTION

Reducer fitting to be used with the different models of Air Flux Dust extractors. Can be cut off on the appropriate diameter.

No video available for this product!

DOWNLOADS

No download available.

ADDITIONAL INFORMATION

Weight

0,5 kg