

ROLLER BED FLEX TT490-9



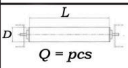

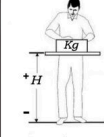

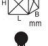

€272,72 (excl. VAT)

The TT490-9 is a foldable and height-adjustable roller bed with 9 rollers that can support up to 130 kg.

SKU: 1RSFLEX

GALERIJAFBEELDINGEN



MODEL	Flex TT490/9
	L= 490mm D= 50mm Q= 9pcs
	W= 600mm
	H= - 610mm + 1000mm Kg= 130Kg
	L= 1500mm l= 600mm
	H= 360mm B= 585mm L= 615mm
	Kg= 36

The TT490-9 is a foldable roller bed with 9 rollers on wheels that can be folded in and out in no time. As a result, it can be moved and stored quickly and easily, and will save considerable space in your workshop.

It is equipped with 9 rollers (width 490 mm and diameter 50 mm) and has a load capacity of 130 kg. The minimum working height is 610 mm, the maximum working height is 1000 mm. The roller bed is 1500 mm long when folded out and 600 mm long when folded in.

PRODUCT INFORMATION

- Fold-in and fold-out roller bed
- Equipped with 4 wheels with brake
 - Roller diameter (9): 50 mm
 - Roller length: 490 mm
- Roller bed dimensions: folded out 1500 x 600 mm, folded in 600 x 600 mm
- Adjustable in height (610 - 1000 mm)
 - Can support up to 130 kg

DESCRIPTION

The TT490-9 is a foldable roller bed with 9 rollers on wheels that can be folded in and out in no time. As a result,

it can be moved and stored quickly and easily, and will save considerable space in your workshop. It is equipped with 9 rollers (width 490 mm and diameter 50 mm) and has a load capacity of 130 kg. The minimum working height is 610 mm, the maximum working height is 1000 mm. The roller bed is 1500 mm long when folded out and 600 mm long when folded in.

No video available for this product!

DOWNLOADS

No download available.

ADDITIONAL INFORMATION

Weight	36 kg
Dimensions	615 × 585 × 360 cm
Roller length	490 mm
Roller diameter	50 mm
Number of rollers	9
Roller bed length (folded in - folded out)	600 mm - 1500 mm
Height	610-1000 mm
Max. load capacity	130 kg