

## SAW BLADE FOR ALUMINIUM SOLID Ø250MM - BORE 32MM



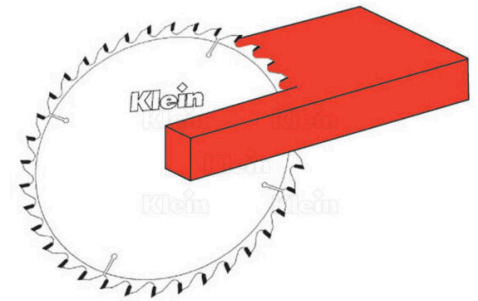
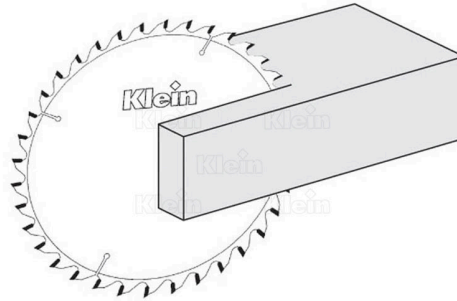
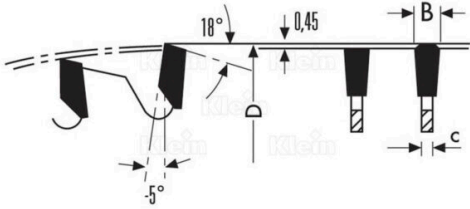
**€95,00 (excl. VAT)**

### **Saw blade with 80 teeth**

Saw blade 'Xtra Cut' with FZ/TR triple chip teeth and a negative hook angle of 5°. This saw blade is well suited for the cutting of solid aluminium, PVC and non-ferro metals. To be used on table saws. These saw blades offer great finish and longer life. No-noise and less vibration thanks to a special synthetic resin filled in the slots to increase the stability and reduce vibrations. No noise.

**SKU:** KL-LB5008032

## GALERIJAFBEELDINGEN



### Saw blade with 80 teeth

Saw blade 'Xtra Cut' with FZ/TR triple chip teeth and a negative hook angle of 5°. This saw blade is well suited for the cutting of solid aluminium, PVC and non-ferro metals. To be used on table saws. These saw blades offer great finish and longer life. No-noise and less vibration thanks to a special synthetic resin filled in the slots to increase the stability and reduce vibrations. No noise.

Make sure to use the right amount of teeth to achieve optimal results of your project. A low number of teeth is suited for fast-paced and rough sawing. A high number of teeth calls for a lower operating speed but guarantees a clean cut.

### PRODUCT INFORMATION

- Fine cut HW saw blade
- FZ/TR triple chip teeth
  - For solid aluminium
- For PVC and non-ferro metals
  - No noise
- Increased stability and reduced vibrations
  - Negative hook angle 5°

## DESCRIPTION

**Saw blade with 80 teeth** Saw blade 'Xtra Cut' with FZ/TR triple chip teeth and a negative hook angle of 5°. This saw blade is well suited for the cutting of solid aluminium, PVC and non-ferro metals. To be used on table saws. These saw blades offer great finish and longer life. No-noise and less vibration thanks to a special synthetic resin filled in the slots to increase the stability and reduce vibrations. No noise. Make sure to use the right amount of teeth to achieve optimal results of your project. A low number of teeth is suited for fast-paced and rough sawing. A high number of teeth calls for a lower operating speed but guarantees a clean cut.

No video available for this product!

## DOWNLOADS

No download available.

## ADDITIONAL INFORMATION

<b>Weight</b>	1 kg
<b>Diameter sawblade</b>	250mm
<b>Shaft diameter</b>	32mm
<b>Thickness teeth</b>	3,4mm
<b>Thickness Sawblade</b>	2,6mm
<b>Number of teeth</b>	80
<b>Pin holes</b>	2/11/63