

SAW BLADE FOR ALUMINIUM SOLID Ø300MM - BORE 30MM



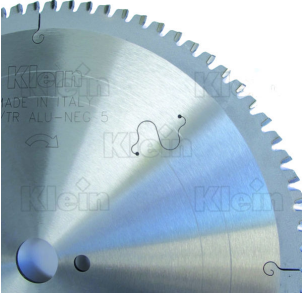
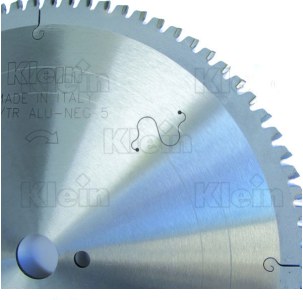

€112,00 - €114,00 (excl. VAT)

Saw blade 'Xtra Cut' with FZ/TR triple chip teeth and a negative hook angle of 5°. This saw blade is well suited for the cutting of solid aluminium, PVC and non-ferro metals. To be used on table saws. These saw blades offer great finish and longer life. No-noise and less vibration thanks to a special synthetic resin filled in the slots to increase the stability and reduce vibrations. No noise.

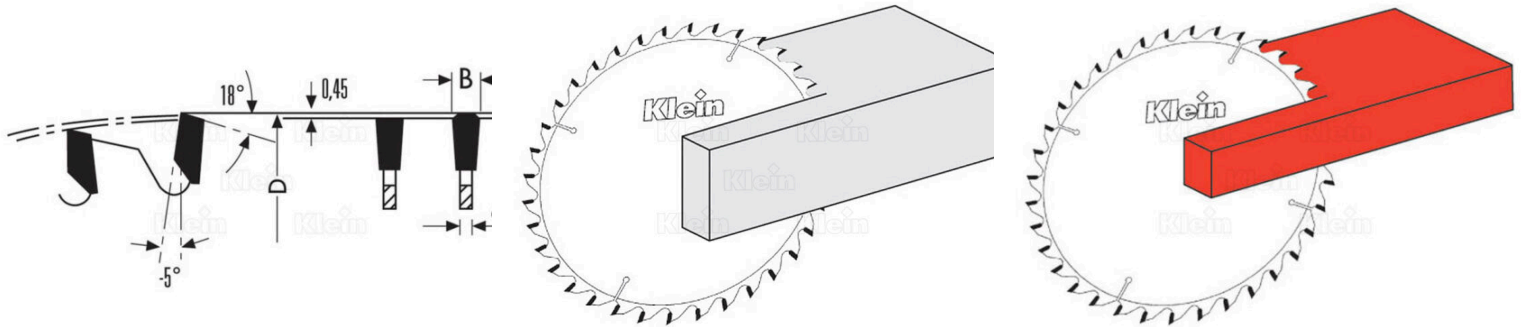
Available with different number of teeth.

SKU: N/A

VARIATIONS

Image	SKU	Description	Number of teeth	Price
	KL-LB30009630		96	€114,00 (excl. VAT)
	KL-LB30008430		84	€113,00 (excl. VAT)
	KL-LB30007230		72	€112,00 (excl. VAT)

GALERIJAFBEELDINGEN



Saw blade 'Xtra Cut' with FZ/TR triple chip teeth and a negative hook angle of 5°. This saw blade is well suited for the cutting of solid aluminium, PVC and non-ferro metals. To be used on table saws. These saw blades offer great finish and longer life. No-noise and less vibration thanks to a special synthetic resin filled in the slots to increase the stability and reduce vibrations. No noise.

Make sure to use the right amount of teeth to achieve optimal results of your project. A low number of teeth is suited for fast-paced and rough sawing. A high number of teeth calls for a lower operating speed but guarantees a clean cut. Available with different number of teeth.

PRODUCT INFORMATION

- Fine cut HW saw blade
- FZ/TR triple chip teeth
 - For solid aluminium
- For PVC and non-ferro metals
 - No noise
- Increased stability and reduced vibrations
 - Negative hook angle 5°

DESCRIPTION

Saw blade 'Xtra Cut' with FZ/TR triple chip teeth and a negative hook angle of 5°. This saw blade is well suited

for the cutting of solid aluminium, PVC and non-ferro metals. To be used on table saws. These saw blades offer great finish and longer life. No-noise and less vibration thanks to a special synthetic resin filled in the slots to increase the stability and reduce vibrations. No noise. Make sure to use the right amount of teeth to achieve optimal results of your project. A low number of teeth is suited for fast-paced and rough sawing. A high number of teeth calls for a lower operating speed but guarantees a clean cut. Available with different number of teeth.

No video available for this product!

DOWNLOADS

No download available.

ADDITIONAL INFORMATION

Weight	1 kg
Diameter sawblade	300mm
Shaft diameter	30 mm
Thickness teeth	3,4mm
Thickness Sawblade	2,6mm
Number of teeth	72, 84, 96
Pin holes	2/11/63