

## SAW BLADE 'XTRA CUT' FOR ALUMINIUM HOLLOW Ø400MM - BORE 30MM





**€146,00 - €172,00 (excl. VAT)**

Saw blade 'Xtra Cut' with FZ/TR 'triple chip' teeth and a positive hook angle of 5°. This saw blade is suited for use with aluminium (hollow), PVC and non-ferro metals and can be used for cutting of aluminium profiles and extrusions with a thickness between 2 and 5mm. No-noise and less vibration thanks to a special synthetic resin filled in the slots to increase the stability and reduce vibrations. No noise.

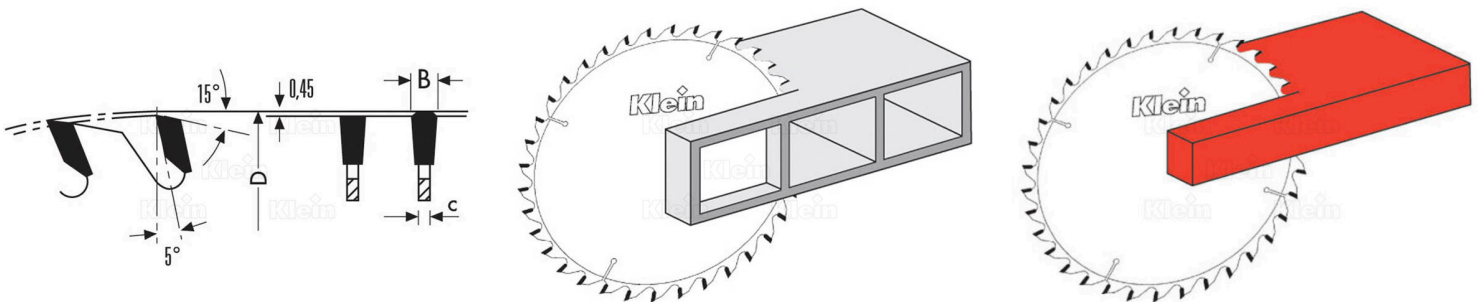
Available with different number of teeth.

**SKU: N/A**

## VARIATIONS

Image	SKU	Description	Number of teeth	Price
	KL-LA40009630		96	€146,00 (excl. VAT)
	KL-LA40012030		120	€172,00 (excl. VAT)

## GALERIJAFBEELDINGEN



Saw blade 'Xtra Cut' with FZ/TR 'triple chip' teeth and a positive hook angle of 5°. This saw blade is suited for

use with aluminium (hollow), PVC and non-ferro metals and can be used for cutting of aluminium profiles and extrusions with a thickness between 2 and 5mm. To be used on table saws. These saw blades offer great finish and longer life. No-noise and less vibration thanks to a special synthetic resin filled in the slots to increase the stability and reduce vibrations. No noise.

Make sure to use the right amount of teeth to achieve optimal results of your project. A low number of teeth is suited for fast-paced and rough sawing. A high number of teeth calls for a lower operating speed but guarantees a clean cut. Available with different number of teeth.

### PRODUCT INFORMATION

- Fine cut HW saw blade
- FZ/TR triple chip teeth
- For aluminium profiles
- For PVC and non-ferro metals
  - No noise
- Increased stability and reduced vibrations
  - Positive hook angle 5°

### DESCRIPTION

Saw blade 'Xtra Cut' with FZ/TR 'triple chip' teeth and a positive hook angle of 5°. This saw blade is suited for use with aluminium (hollow), PVC and non-ferro metals and can be used for cutting of aluminium profiles and extrusions with a thickness between 2 and 5mm. To be used on table saws. These saw blades offer great finish and longer life. No-noise and less vibration thanks to a special synthetic resin filled in the slots to increase the stability and reduce vibrations. No noise. Make sure to use the right amount of teeth to achieve optimal results of your project. A low number of teeth is suited for fast-paced and rough sawing. A high number of teeth calls for a lower operating speed but guarantees a clean cut. Available with different number of teeth.

No video available for this product!

### DOWNLOADS

No download available.

## ADDITIONAL INFORMATION

<b>Weight</b>	1 kg
<b>Diameter sawblade</b>	400mm
<b>Shaft diameter</b>	30 mm
<b>Thickness teeth</b>	4,0mm
<b>Thickness Sawblade</b>	3,2mm
<b>Number of teeth</b>	120, 96
<b>Pin holes</b>	2/11/63