

SET (2) REDUCING BUSHES BORE 30MM



€24,79 (excl. VAT)

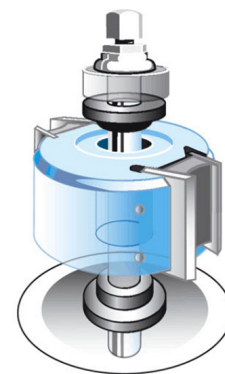
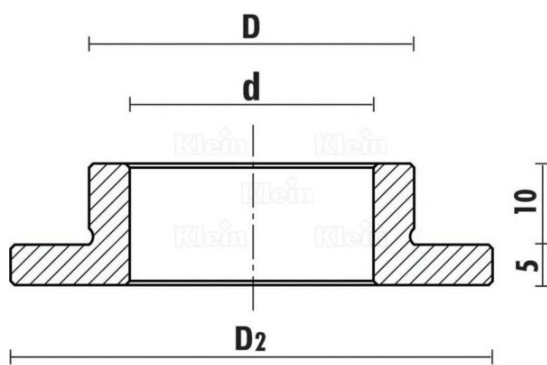
Set of reducing bushes to widen the bore of your spindle moulder machine. Thanks to this handy accessory you will be able to use cutter heads with a larger diameter on your own spindle machine of bore 30mm. Available with Ø40mm or Ø50mm for use on cutter heads with 40mm or 50mm bore.

SKU: N/A

VARIATIONS

Image	SKU	Description diameter	Price
	KL-ZA011040030	40mm	€24,79 (excl. VAT)
	KL-ZA011050030	50mm	€24,79 (excl. VAT)

GALERIJAFBEELDINGEN



Set of reducing bushes to widen the bore of your spindle moulder machine. Thanks to this handy accessory you

will be able to use cutter heads with a larger diameter on your own spindle machine of bore 30mm. Available with Ø40mm or Ø50mm for use on cutter heads with 40mm or 50mm bore.

PRODUCT INFORMATION

- Reducing bushes
- For spindle moulder machines
- Adjust cutter heads to fit your own machine

DESCRIPTION

Set of reducing bushes to widen the bore of your spindle moulder machine. Thanks to this handy accessory you will be able to use cutter heads with a larger diameter on your own spindle machine of bore 30mm. Available with Ø40mm or Ø50mm for use on cutter heads with 40mm or 50mm bore.

No video available for this product!

DOWNLOADS

No download available.

ADDITIONAL INFORMATION

Weight	0,5 kg
diameter	40mm, 50mm
Shaft diameter	30 mm