

SET (2) REDUCING RINGS SHAFT 40MM

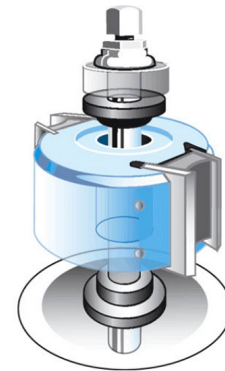
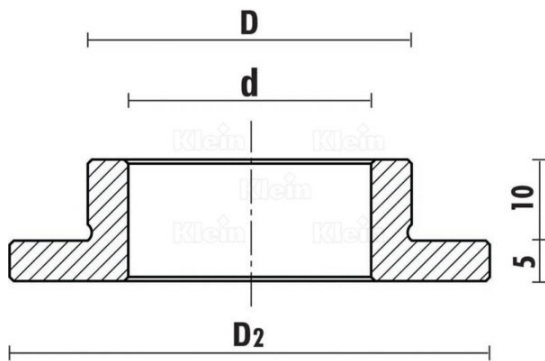


€28,93 (excl. VAT)

Set of reducing bushes to widen the bore of your spindle moulder machine. Thanks to these handy rings, you can also use milling tools with a larger diameter on your spindle moulder machine with a 40mm spindle. This also allows you to use milling tools with a 50 mm spindle on your milling machine with a 40 mm spindle.

SKU: 3FR396350504020

GALERIJAFBEELDINGEN



Set of reducing bushes to widen the bore of your spindle moulder machine. Thanks to these handy rings, you can also use milling tools with a larger diameter on your spindle moulder machine with a 40mm spindle. This also allows you to use milling tools with a 50 mm spindle on your milling machine with a 40 mm spindle.

PRODUCT INFORMATION

- Reducing bushes
- For spindle moulder machines
- Adjust cutter heads to fit your own machine

DESCRIPTION

Set of reducing bushes to widen the bore of your spindle moulder machine. Thanks to these handy rings, you can also use milling tools with a larger diameter on your spindle moulder machine with a 40mm spindle. This also allows you to use milling tools with a 50 mm spindle on your milling machine with a 40 mm spindle.

No video available for this product!

DOWNLOADS

No download available.

ADDITIONAL INFORMATION

Weight	0,5 kg
diameter	50mm
Shaft diameter	40mm