

**SET (6) SPACERS 2-30MM - BORE 50MM - Ø70MM**

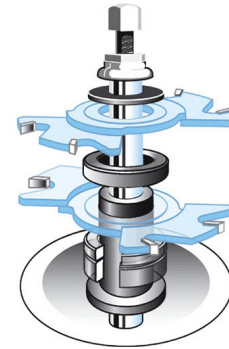
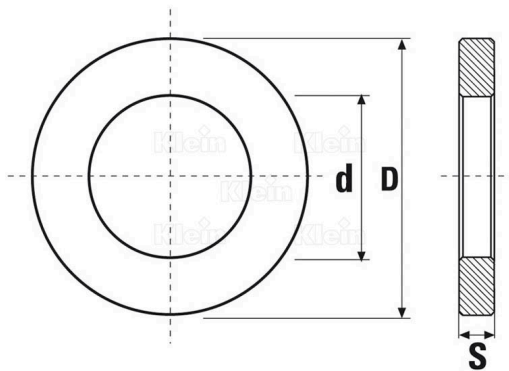


**€193,80 (excl. VAT)**

A set of six spacers of high quality with a tolerance of 0.01. Machined using the fineblanking process. All spacers are bore diameter 50mm and outer diameter 70mm. The thickness varies between 2mm and 30mm.

**SKU:** KL-YD500990

**GALERIJAFBEELDINGEN**



A set of six spacers of high quality with a tolerance of 0.01. Machined using the fineblanking process. All spacers are bore diameter 50mm and outer diameter 70mm The thickness varies between 2mm and 30mm.

### PRODUCT INFORMATION

- Spacers
- For spindle moulder machines
- For adjustable cutter heads
  - Fineblanking process
  - 0,01 tolerance

### DESCRIPTION

A set of six spacers of high quality with a tolerance of 0.01. Machined using the fineblanking process. All spacers are bore diameter 50mm and outer diameter 70mm The thickness varies between 2mm and 30mm.

No video available for this product!

### DOWNLOADS

No download available.

### ADDITIONAL INFORMATION

<b>Weight</b>	0,5 kg
<b>diameter</b>	70mm
<b>Shaft diameter</b>	50 mm