

### SET (6) SPACERS 0,1-3MM - ASGAT 30MM - Ø50MM

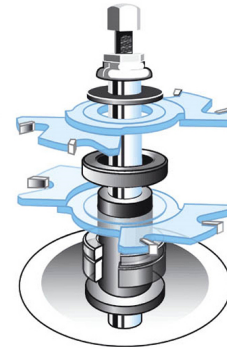
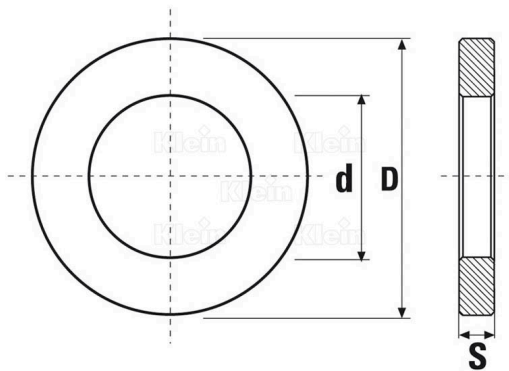


**€41,32 (excl. VAT)**

A set of six spacers of high quality with a tolerance of 0.01. Machined using the fineblanking process. All spacers are bore diameter 30mm and outer diameter 50mm. The thickness varies between 0,1mm en 3mm.

**SKU:** KL-AS0701452

**GALERIJAFBEELDINGEN**



A set of six spacers of high quality with a tolerance of 0.01. Machined using the fineblanking process. All spacers are bore diameter 30mm and outer diameter 50mm. The thickness varies between 0,1mm en 3mm.

### PRODUCT INFORMATION

- Spacers
- For spindle moulder machines
- For adjustable cutter heads
  - Fineblanking process
  - 0,01 tolerance

### DESCRIPTION

A set of six spacers of high quality with a tolerance of 0.01. Machined using the fineblanking process. All spacers are bore diameter 30mm and outer diameter 50mm. The thickness varies between 0,1mm en 3mm.

No video available for this product!

### DOWNLOADS

No download available.

### ADDITIONAL INFORMATION

<b>Weight</b>	0,5 kg
<b>diameter</b>	50mm
<b>Shaft diameter</b>	30 mm