

SET (6) SPACERS 2-30MM - BORE 30MM - Ø50MM

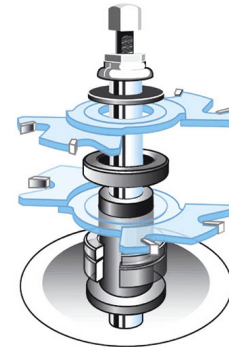
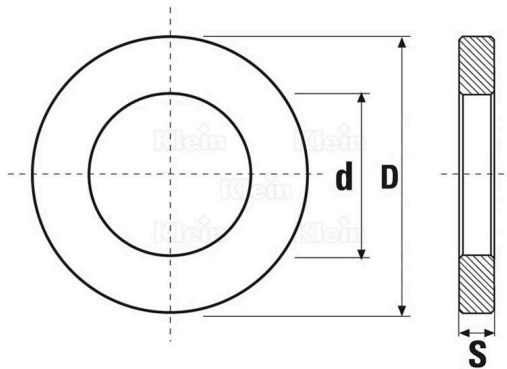


€133,30 (excl. VAT)

A set of six adjusting rings of high quality with a tolerance of 0.01. Machined using the fineblanking process. All spacers are bore diameter 30mm and outer diameter 50mm. The thickness varies between 2mm and 30mm.

SKU: KL-YD300990

GALERIJAFBEELDINGEN



A set of six spacers of high quality with a tolerance of 0.01. Machined using the fineblanking process. All spacers are bore diameter 30mm and outer diameter 50mm. The thickness varies between 2mm and 30mm.

PRODUCT INFORMATION

- Spacers
- For spindle moulder machines
- For adjustable cutter heads
 - Fineblanking process
 - 0,01 tolerance

DESCRIPTION

A set of six spacers of high quality with a tolerance of 0.01. Machined using the fineblanking process. All spacers are bore diameter 30mm and outer diameter 50mm. The thickness varies between 2mm and 30mm.

No video available for this product!

DOWNLOADS

No download available.

ADDITIONAL INFORMATION

Weight	0,5 kg
diameter	50mm
Shaft diameter	30 mm